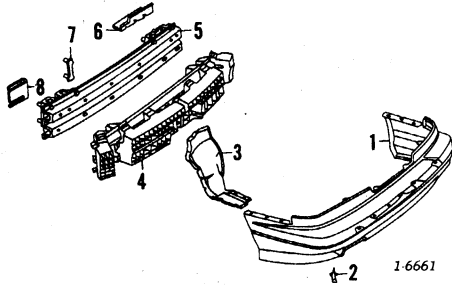


**Z34**

Refinish Rear Cover.....	2.3
R&I Bumper Assy.....	1.4
O/H Bumper Assy (Includes R&I).....	2.0

**NOTE: All Parts in this section are included in overhaul unless noted otherwise.**



1 Cover, Rear (P) (P) Paint to Match	10053300	2.0	401.74
<b>Stripe, Cover-See Stripe Tape Section</b>			
2 Retainer, Cover (Push-In)	91-93 5973400 94 1619321	#	1.20
		#	.65
<b>#Included in R&amp;R/O/H Rear Cover</b>			
3 Shield, Cover	R/L 10053308-7	#.2	32.38
<b>#Included in R&amp;R&amp;R &amp; O/H Rear Cover</b>			
Retainer, Cover Side	R 10082600 L 10082599	#	8.42
		#	8.49
<b>#Included in R&amp;R/O/H Rear Cover</b>			
4 Absorber, Impact	16509068	IOH	159.96
5 Bar, Impact	91-93 10242906 94 10242906	IOH	d305.63
		IOH	d305.63
6 Reinf, Absorber	R/L 10128138-9	IOH	21.19
7 Plate, Bar Stud (2/Side)	R/L 10194292	IOH	4.27
8 Reinf, Panel	R/L 20565019	IOH	10.04

**GEO METRO/SPRINT 1989-94**

**SECTION INDEX**

A/C/HEATER.....	1356
A/C REFRIGERANT CAPACITIES.....	1356
AIR BAG SYSTEM.....	1357
AIR CLEANER.....	1360
BACK WINDOW.....	1368
CENTER CONSOLE.....	1362
CLEAR COAT IDENTIFICATION.....	1353
CONVERTIBLE TOP.....	1368
COOLING.....	1355
COWL & DASH.....	1361
ELECTRICAL.....	1361
EMISSION SYSTEM.....	1360
ENGINE.....	1359
ENGINE MOUNTS.....	1359
EXHAUST.....	1360
FRONT BUMPER.....	1353
FRONT DOOR.....	1365
FRONT DRIVE AXLE.....	1358
FRONT FENDER.....	1356
FRONT INNER STRUCTURE.....	1357
FRONT LAMPS.....	1354
FRONT SEAT.....	1365
FRONT STEERING LINKAGE/GEAR.....	1359
FRONT SUSPENSION.....	1358
FUEL TANK.....	1371
HOOD.....	1355
HOOD.....	1355
INFORMATION LABELS.....	1353
INSTRUMENT PANEL.....	1361
INTERCOOLER.....	1355
LIFTGATE.....	1370
LUGGAGE LID.....	1369
PAINT CODE LOCATION.....	1353
QUARTER GLASS.....	1369
REAR BODY.....	1371
REAR BUMPER.....	1373
REAR DOOR.....	1367
REAR LAMPS.....	1372
REAR SEAT.....	1365
REAR SUSPENSION.....	1371
ROCKER/PILARS/FLOOR.....	1362
ROOF.....	1368
SEAT BELTS.....	1365
SPECIAL CAUTIONS.....	1353
STEERING WHEEL/COLUMN.....	1359
SUNROOF.....	1368
TURBOCHARGER.....	1360
UNDERHOOD DIMENSIONS.....	1357
UNISIDE ASSEMBLY.....	1363
WHEEL.....	1357
WINDSHIELD.....	1361

**SPECIAL CAUTIONS**

**AIR BAGS**

Refer to Procedure Explanation 29 for Supplemental Restraint/Air Bag Special Cautions.

**PAINT CODE LOCATION**

Paint code located on spare tire compartment cover.

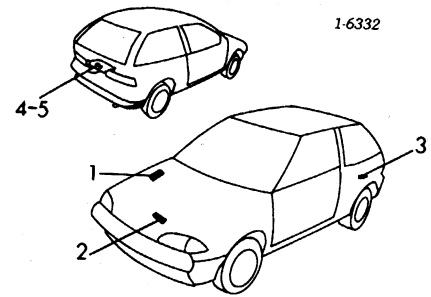
**CLEAR COAT IDENTIFICATION**

All metallic colors and (Codes 35U and 81U) are clear coat.

**INFORMATION LABELS**

Illustration Located in Next Column

1 Emission Control <sup>†</sup> Man Trans w/Calif Emission	89 96063784 90 96063785 91 30005583 92 96065706 93 30010129 94 30011560	11.08 11.08 11.08 10.86 11.08 11.08
--	--	--



w/o Calif Emission	89 96064417	10.60
	90 96063785	11.08
	91 30000584	11.50
	92 30008442	11.08
	93 30010422	11.08
	94 30014107	11.08
Auto Trans	30010193	11.08
2 A/C Fan Caution <sup>†</sup> A/C R-134a Usage <sup>†</sup>	96067899	8.20
	94 30011748	9.41
<b>#Order by Application</b>		
3 Unleaded Fuel	96052879	11.50
4 Jack Caution <sup>†</sup>	96068376	0.00
5 Wheel Storage <sup>†</sup> SIR Caution <sup>†</sup>	96068376	0.00
On Upper Tie Bar	96064123	0.00
On Module	96064277	0.00
Canadian Safety <sup>†</sup>	30000584	11.50
<b>#Order by Application</b>		

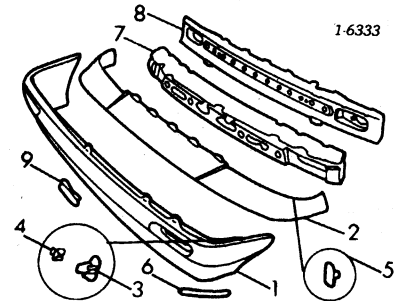
**FRONT BUMPER**

Use Procedure Explanations 1 and 28 with the following text.

**1989-91**

Refinish Covers Complete.....	1.9
Refinish Front Upper Cover.....	1.0
Refinish Front Lower Cover.....	1.3
R&I Bumper Assy.....	.5
O/H Bumper Assy (Includes R&I).....	#2.0
<b>#Includes R&amp;R Signal Lamps</b>	
Add to R&R or O/H Bumper Assy w/Fog Lamps.....	.3

**NOTE: All Parts in this section are included in overhaul unless noted otherwise.**



1 Cover, Front Lower (P) w/Turbo	96062180	#1.6	d300.00
w/o Turbo	96060787	#1.6	d510.05
2 Cover, Front Upper (P) (P) Paint to Match	96060782	#1.6	126.38
<b>#R&amp;R Complete, Includes R&amp;R Signal Lamps</b>			
3 Slider, Bumper Side	R 96060792	#	9.16
	L 96060793	#	9.34
4 Holder, Bumper Side (2)	R/L 96060794	#	2.97
5 Support, Bumper Side	R 96060789	#	7.26
	L 96060791	#	6.73
6 Brace, Bumper Lower	R/L 96060790	#	d13.20
<b>#Included in R&amp;R Lower &amp; Upper Cover</b>			
7 Absorber, Impact	96060795	IOH	121.88
8 Bar, Impact			
1989			
To VIN KK743194	30009723	IOH	234.89
From VIN KK743194	30009723	IOH	234.89
1990-91	30009723	IOH	234.89
9 Retainer, License Plate (2)	R/L 96060796	.2	6.93

**1992-94**

**CONV**

**HATCHBACK W/O SPORT PKG**

Refinish Cover Complete.....	1.9
Refinish Front Upper Cover.....	1.0
Refinish Front Lower Cover.....	1.3
R&I Bumper Assy.....	.5
O/H Bumper Assy (Includes R&I).....	#2.0
<b>#Includes R&amp;R Signal Lamps</b>	
Add to R&R or O/H Bumper Assy w/Fog Lamps.....	.3

# GEO METRO/SPRINT 1989-94

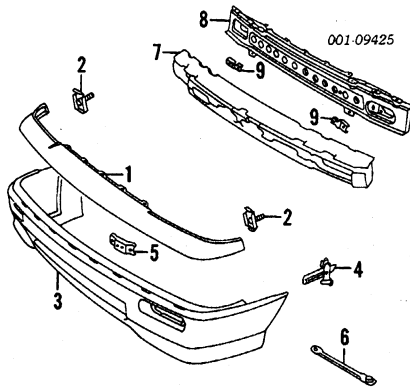
## FRONT BUMPER Cont'd

1992-94

CONV

### HATCHBACK W/O SPORT PKG Cont'd

NOTE: All Parts in this section are included in overhaul unless noted otherwise.



1 Cover, Front Upper (P) (P) Paint to Match	96060782	#1.6	126.38
2 Bracket, Mounting	R 96060789 L 96060791	#	7.26 6.73
3 Cover, Front Lower Hatchback	96065898	#1.6	273.24
Black	96065898	#1.6	273.24
Painted (P)			
Conv	96065899	#1.6	333.58
Black	96065899	#1.6	333.58
Painted (P)			
(P) Paint to Match			
#R&R Complete, Includes R&R Signal Lamps			
4 Bracket, Side Mtg	R 96060792 L 96060793	#	9.16 9.34
5 Bracket, Center Mtg	96060796	#	6.93
6 Brace, Lower Mtg			
1992			
USA	R/L 30007269	#	14.01
Canada	R/L 30008057	#	d11.96
1993-94	R/L 30007269	#	14.01
#Included in R&R or O/H Front Cover			
7 Absorber, Impact	96065900	IOH	126.62
8 Bar, Impact	30009723	IOH	234.89
(Order by Application)			
9 Bracket, Bar Lower	R 30007267 L 30007268	IOH	7.29 7.13

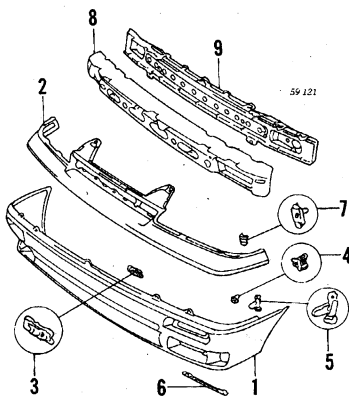
1992-94

SEDAN

### HATCHBACK W/SPORT PKG (GSI Model)

Refinish Covers Complete (Upper/Lower)	1.9
Refinish Front Upper Cover	1.0
Refinish Front Lower Cover	1.3
R&I Bumper Assy	.5
O/H Bumper Assy (Includes R&I)	#2.0
#Includes R&R Signal Lamps	
Add to R&R or O/H Bumper Assy w/Fog Lamps	.3

NOTE: All Parts in this section are included in overhaul unless noted otherwise.



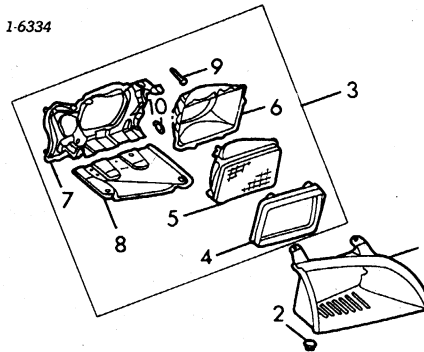
1 Cover, Bumper Lower Hatchback	96065898	#1.6	273.24
Black	96065898	#1.6	273.24
Painted (P)			
Sedan			

Black	96066631	#1.6	d261.40
Painted (P)	96066631	#1.6	d261.40
2 Cover, Bumper Upper			
Black	30005603	#1.6	d117.97
Painted (P)	30005603	#1.6	d117.97
(P) Paint to Match			
#R&R Upper & Lower Complete, Includes R&R Signal Lamps			
Brkt, License Plate	10024283	.2	17.15
3 Retainer, Lic Plate Brkt	96060796		6.93
4 Holder, Side	R/L 96060794	IOH	2.97
5 Slide, Bumper Side	R 96060792	IOH	9.16
L 96060793	IOH	9.34	
6 Brace, Lower	R/L 30007269	IOH	14.01
7 Bracket, Mtg	R 96060789	IOH	7.26
L 96060791	IOH	6.73	
8 Absorber, Impact	96065900	IOH	126.62
9 Bar, Impact	30009723	IOH	234.89
(Order by Application)			

## FRONT LAMPS

### HEADLAMP SEALED BEAM TYPE

R&R Does Not Include Aim Lamps	.4
R&I Headlamp Assy	R/L #.4
#Includes R&I/R&R Bezel	



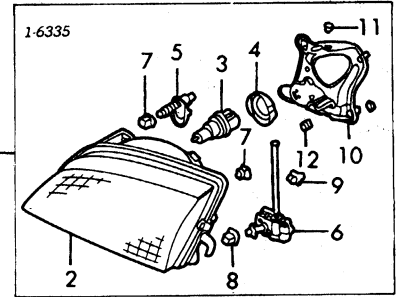
1 Bezel, Headlamp	R 96068905 L 96068906	.2	37.24 71.27
2 Clip, Bezel	R/L 96062270	.2	1.25
3 Headlamp Assy			
Japan Built	R 96061561 L 96061570	#.4	d115.00 d115.00
Canada Built	R 96065184 L 96065185	#.4	238.43 227.52
#Includes R&R Headlamp Bezel			
4 Ring, Retaining			
Japan Built	R/L 96061564		8.21
Canada Built	R/L 91172267		31.09
5 Sealed Beam	89 R/L 96061562	.3	d71.50
90-94 R/L 16502973		.3	32.91
6 Ring, Mounting			
Japan Built	R 96061565		9.45
Canada Built	R 96061571 R 96063799 L 96063691		8.72 12.38 20.83
7 Brkt, Lamp Mounting			
Japan Built	R 96061560	#.5	26.50
Canada Built	L 96061563 R 96063803 L 96063672	#.5 #.5 #.5	d26.50 55.60 55.60
#Includes R&R Headlamp Assy			
8 Brkt, Lamp Lower			
Japan Built	R 96061568		9.18
Canada Built	L 96061572 R/L 96063800-1		d9.00 17.30
9 Screw, Adjusting			
Japan Built	R/L 96054291		1.60
Canada Built	R/L 96063802		9.62
10 Spring, Retaining			
Japan Built	R/L 96061567		2.25
Canada Built	R/L 96065186		11.16
(Included w/Headlamp Assy)			

### HEADLAMP COMPOSITE TYPE

R&R Does Not Include Aim Lamps	.4
R&I Headlamp Assy	R/L .4

Illustration Located in Next Column

1 Headlamp Assy			
Hatchback, Conv			
Japan Built	R 96065341	.4	d174.00
Canada Built	L 96065343 R 96065336 L 96065339	.4 .4 .4	d174.00 214.75 172.55
Sedan-Serviced by Components			
2 Housing & Lens			
Hatchback, Conv			
Japan Built	R 96060405	.3	78.43



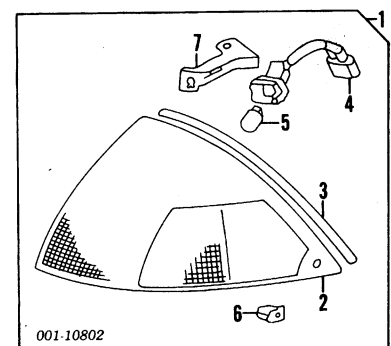
Canada Built (a)	L 96060418	.3	103.88
	R 96063669	.3	88.51
	L 96063688	.3	90.47
Sedan	R 96066479	.3	140.58
	L 96066481	.3	137.86

(a) Order by Application

3 Bulb, Lamp			
Hatchback, Conv	R/L 9441731		18.81
Sedan	R/L 9441731		18.81
4 Cap, Bulb Retaining			
Hatchback, Conv			
Japan Built	R/L 96059612		2.19
Canada Built	R/L 96063684		9.30
Sedan	R/L 96059612		2.19
5 Screw, Adjuster			
Hatchback, Conv			
Japan Built	R/L 96060407		3.68
Canada Built	R/L 96063675		3.68
Sedan	R/L 96060407		3.68
6 Adjuster & Gear			
Hatchback, Conv			
Japan Built	R 96060413		14.87
Canada Built	L 96060420		14.87
Sedan	R/L 96063682 R 96060413 L 96060420		15.46 14.87 14.87
7 Nut, Upper			
Hatchback, Conv			
Japan Built (2/Side)	R/L 96060411		d1.47
Canada Built			
Outer	R/L 96063679		3.68
Inner	R/L 96063681		16.52
Sedan (2/Side)	R/L 96060411		d1.47
8 Nut, Lower (2/Side)			
Hatchback, Conv			
Japan Built	R/L 96060412		3.68
Canada Built	R/L 96063680		3.68
Sedan	R/L 96060412		3.68
9 Clip, Adjusting Shaft			
Hatchback, Conv	R/L 96060408		3.50
Sedan	R/L 96060408		3.50
10 Brkt, Lamp Mounting			
Hatchback, Conv			
Japan Built	89-90 R 96065342	#.5	9.33
Canada Built	L 96065344	#.5	9.33
Sedan	90 R 96065337 L 96065340	#.5 #.5	7.80 15.84
94 R/L 96063800-1		#.5	17.30
Sedan	R 96055342 L 96055344		0.00 1.61
#Includes R&R Housing & Lens			
11 Nut, Bracket			
Hatchback, Conv	90-93 R/L 96051292		1.05
Sedan	94 R/L 96063677 R/L 96051292		3.50 1.05
12 Bushing, Lamp			
Hatchback, Conv	R/L 96060410		4.62
Sedan	R/L 96060410		4.62
(Included w/Headlamp Assy)			
Resistor, DRL	91172310	m	.9
Bracket, DRL Resistor	30002485	m	18.15
Controller, DRL			
To 1-9-90	30004206	m	.6
From 1-10-90	30004206	m	.6

## PARK/SIDE MARKER LAMP

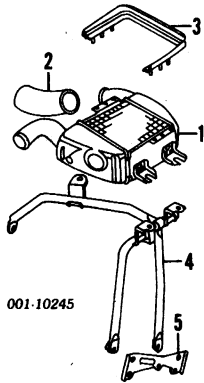
R&I Park/Side Marker Lamp	R/L	#.2
#Included in R&I/R&R Fender		





# GEO METRO/SPRINT 1989-94

## INTERCOOLER Cont'd



001-10245

2 Hose, Charge Air	96063050	.2	d19.85
3 Cover, Intercooler	96062522	#.1	d35.25
<i>#Included in R&amp;R Intercooler</i>			
4 Brkt, Upper Mtg	96062777	#.2	d17.70
5 Brkt, Lower Mtg	96062776	#.2	d11.60
<i>#R&amp;R Complete w/Intercooler</i>			

## A/C REFRIGERANT CAPACITIES

A/C R-12 Refrigerant Capacity  
1989-93: 17.6 Ozs (1.10 Lbs)  
A/C R-134a Refrigerant Capacity  
1994: 17.6 Ozs (1.10 Lbs)

## A/C /HEATER

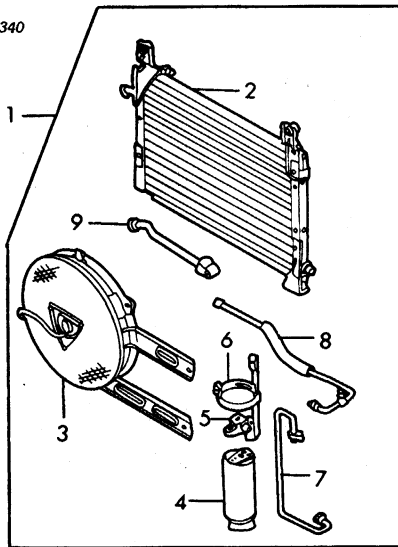
Use Procedure Explanation 6 with the following text.

Evacuate & Recharge System	m	1.4
Recover Refrigerant	m	.3

**NOTE:** R&R/R Does Not include recover, evacuate and recharge system.

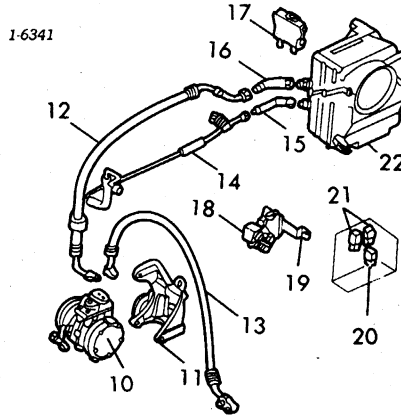
## AIR CONDITIONING

1-6340



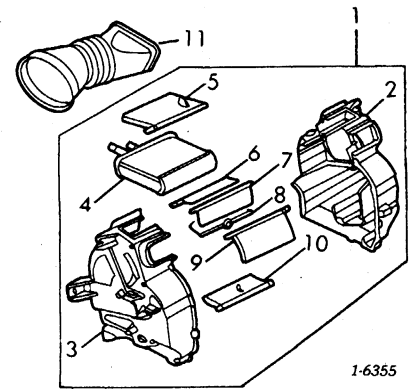
1 Condenser/Fan Assy			
1.0L Eng	89-91 96061181	m	2.2 d582.00
	92-93 30008271	m	2.2 438.00
	94 N.A.	m	2.2 0.00
	30008271	m	2.2 438.00
2 Condenser			
1.0L Eng	89-93 30008436	m	2.5 447.62
	94 96068478	m	2.5 552.08
1.3L Eng			
1989-93	30008436	m	2.5 447.62
1994			
Hatchback	96068478	m	2.5 552.08
Sedan	30008436	m	2.5 447.62
3 Fan Assy			
Fan, Condenser	96061183	m	.5 423.14
Motor, Condenser	96056731	m	#.8 d61.25
Shroud	96066180	m	#.8 d246.00
<i>(a) Serviced w/Fan Assy</i>			
<i>(a) Included w/Fan Assy</i>			
<b>#R&amp;R Complete</b>			
4 Receiver/Drier			
1989-93	96068480	m	2.2 71.36
1994			

Hatchback	96068480	m	2.2 71.36
Sedan	96068480	m	2.2 71.36
5 Joint, Receiver/Drier			
1989-93	96061711	m	.3 31.63
1994			
Hatchback	30012908	m	#.3 37.86
Sedan	96061711	m	#.3 31.63
6 Brkt, Receiver/Drier	96061185	m	#.3 33.65
<i>#Included in R&amp;R Receiver/Drier</i>			
7 Pipe, Condenser/Drier			
1989-93	96061202	m	.7 85.97
1994			
Hatchback	96068486	m	.7 51.20
Sedan	96061202	m	.7 85.97
8 Pipe, Drier Outlet			
1989-93	96061203	m	.3 80.78
1994			
Hatchback	96068487	m	.3 83.13
Sedan	96061203	m	.3 80.78
9 Pipe, Condenser Inlet	96061710	m	.7 45.96
<i>#Included w/Condenser/Fan Assy</i>			



10 Compressor Assy	89-93 12367705	m	2.2 R1014.02
	94 12367702	m	2.2 d948.74
Clutch, Comp Drive	96069267	m	2.6 365.04
<i>#Included w/Compressor Assy</i>			
11 Brkt, Comp Mount	96061175	m	#.2 109.73
<i>#w/Compressor Removed</i>			
Belt, Compressor Drive	96058052		.5 #29.24
12 Hose, Suction			
1.0L Eng			
w/Turbo	89-91 96063293	m	#1.0 d226.75
w/o Turbo	89-91 96068099	m	#1.0 143.12
	92 96067540	m	#1.0 226.76
	93 96067540	m	#1.0 226.76
	94 30011822	m	#1.0 140.72
1.3L Eng	96063293	m	#1.0 d226.75
13 Hose, Discharge			
1989-93	96069266	m	#1.0 164.85
1994			
Hatchback	30011823	m	#1.0 115.82
Sedan	96069266	m	#1.0 164.85
14 Pipe, Liquid			
1.0L Eng	96063569	m	#1.0 229.28
1.3L Eng	96066181	m	#1.0 262.00
<i>#Order by Application</i>			
<i>#Each Additional .6</i>			
15 Pipe, Evap Inlet	96061205	m	#.2 41.14
16 Pipe, Evap Outlet	89-91 96061206	m	#.2 d159.60
	92-94 96066198	m	#.2 59.74
<i>#On Inlet w/Evaporator Pipe Removed, On Outlet w/Suction</i>			
<i>Hose Removed</i>			
17 Controller, A/C	96061194	m	.3 248.07
18 Valve, Idle Up Solenoid	91171628	m	#.3 118.82
19 Bracket, Valve			
1.0L Eng			
w/Turbo	96062542	m	#.3 d11.10
w/o Turbo	96061177	m	#.3 11.88
1.3L Eng	92-94 91174277	m	#.3 13.09
<b>#R&amp;R Complete</b>			
20 Fuse, A/C 30 Amp	91173701	m	4.05
21 Relay, A/C (4)	96060500	m	.3 75.31
22 Evaporator Assy			
1989-93	96061187	m	2.0 980.96
1994			
Hatchback	96068482	m	2.0 635.18
Sedan	96061187	m	2.0 980.96
Case, Evap Upper			
1989-93	96061190	m	#2.5 142.23
1994			
Hatchback	96068483	m	#2.5 136.93
Sedan	96061190	m	#2.5 142.23
Case, Evap Lower	89-91 96066806	m	#2.5 152.56
	92-94 96066806	m	#2.5 152.56
Core, Evaporator	96061189	m	#2.5 470.48
Valve, Expansion	96061713	m	#2.5 97.74
<i>#Included w/Evaporator Assy</i>			
<b>#R&amp;R Complete</b>			

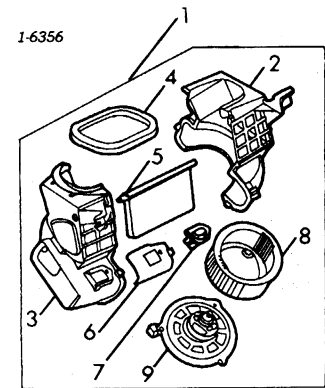
## HEATER



1 Heater Assy	89-91 91172188	m	#2.3 429.18
	92-94 91172188	m	#2.3 429.18
<i>#w/ A/C Add 1.2</i>			
2 Case, Heater Right	89-91 91172190	m	#3.1 d59.43
	92-94 91172190	m	#3.1 d59.43
3 Case, Heater Left	91174239	m	#3.1 57.11
4 Core, Heater	96060860	m	#3.1 299.08
<i>#R&amp;R Complete, w/ A/C Add 1.2</i>			
<b>Damper, Heater</b>			
5 Heater Air Mix	91171843	m	30.75
6 Defroster Air	91171845	m	27.82
7 Hot Air Upper	96060866	m	30.75
8 Heater Air Mix	91172191	m	27.82
9 Vent & Defrost	96060865	m	30.45
10 Hot Air Lower	96065448	m	29.40
<i>#Included w/Heater Assy</i>			
11 Duct, Air			
Hatchback	30002090		33.20
Conv, Sedan	96065558		23.53

## BLOWER

1-6356



1 Blower Assy, A/C Heater			
1989-91	96060882	m	.6 358.00
1992-94			
Hatchback	96060882	m	.6 358.00
Conv	96065950	m	.6 d383.00
Sedan	96066645	m	.6 363.73
2 Case, Blower Right	96065951	m	60.70
3 Case, Blower Left	96060884	m	60.70
4 Gasket, Blower Air	22599323	m	30.60
5 Damper, Heater			
Hatchback, Conv	96060888	m	26.25
Sedan	96066646	m	d22.00
6 Plate, Resistor	96060892	m	25.36
7 Resistor, Motor	96060891	m	.6 25.63
8 Fan, Blower	96059571	m	#.6 61.21
9 Motor, Blower	96064471	m	#.6 303.54
<i>#Included w/Heater/ A/C Blower Assy</i>			
<b>#R&amp;R Complete</b>			

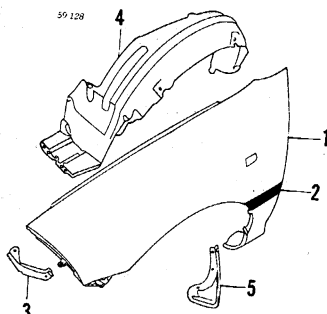
## FRONT FENDER

Use Procedure Explanations 7 and 28 with the following text.

Refinish Fender Outside	R/L	2.2
Add to Edge Fender		
1989-93	R/L	.5
1994	R/L	.5
Refinish Side Moulding	R/L	.2
R&I Fender	R/L	#1.0

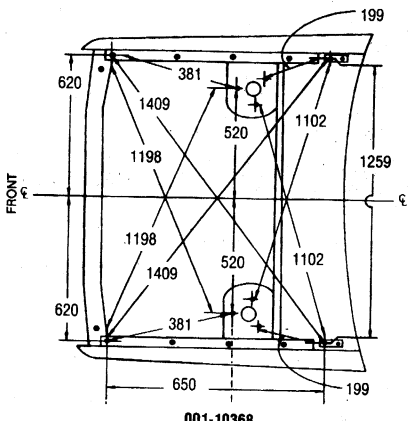
*#w/Bumper Removed*

# GEO METRO/SPRINT 1989-94



<b>1 Fender</b>			
Hatchback w/Turbo	89-93 R 30001898	#1.3	210.95
	L 30001900	#1.3	200.65
	94 R 30001898	#1.3	210.95
	L 30001900	#1.3	200.65
w/o Turbo	89-93 R 30001898	#1.3	210.95
	L 30001900	#1.3	200.65
	94 R 30001898	#1.3	210.95
	L 30001900	#1.3	200.65
Conv	89-93 R 96063943	#1.3	d208.14
	L 30001900	#1.3	200.65
Sedan	89-93 R 30001898	#1.3	210.95
	L 30001900	#1.3	200.65
	94 R 30001898	#1.3	210.95
	L 30001900	#1.3	200.65
<i>#w/Bumper Removed, Includes R&amp;R Mud Guard</i>			
<b>2 Moulding, Side</b>			
Adhesive			
Hatchback, Conv			
Black	R 96061365	.2	31.42
	L 96061366	.2	32.05
Painted (P)	R 96061365	.2	31.42
	L 96061366	.2	32.05
Sedan	R 91173264	.2	20.14
	L 91173267	.2	20.14
<i>(P) Paint to Match</i>			
<b>3 Brace, Fender Side</b>	R 96060680		7.80
	L 96062269		7.80
<b>Brkt, Fender Rear</b>	R/L 96060746		5.06
<b>4 Liner, Fender</b>	R 96060817	.3	25.33
	L 96060819	.3	24.83
<b>Clip, Splash Side (5/Side)</b>	R/L 96057846		1.05
<b>5 Mudguard Set†</b>			
Hatchback, Conv	96061908	#2	71.56
Sedan	96061908	#2	71.56
<i>†Includes Right &amp; Left #R&amp;R One Each, R&amp;R All .6</i>			
<b>Antenna Assy</b>			
Conv	91171602		42.59
Hatchback, Sedan-See Roof Section			

## UNDERHOOD DIMENSIONS

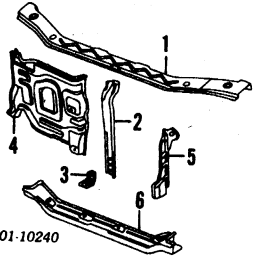


## FRONT INNER STRUCTURE

Use Procedure Explanations 8 and 28 with the following text.

<b>FRONT</b>	
Refinish Radiator Support Assy	#1.5
<i>#Includes Refinish Lamp Panel Supports</i>	
Refinish Upper Tie Bar	.5
Refinish Lower Crossmember	.5
R&R Radiator Support Complete	#7.8
<i>#Includes R&amp;R H/Lamps, Center Support, Hood Lock, Radiator, Shroud, Motor, Fan Blade, Hood Adjusters, Horn, Right Eng Cover Panel, Coolant Tank, Battery, Clips, Fasteners, Disconnect &amp; Connect Hood Cable &amp; Wiring as Necessary</i>	

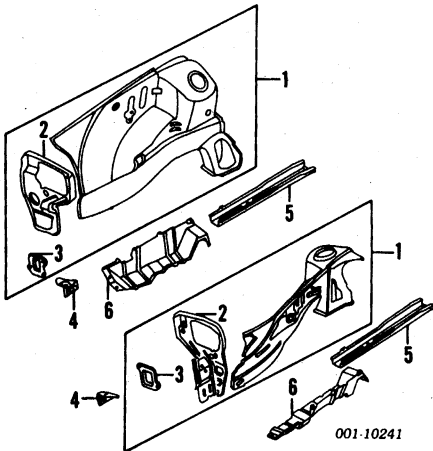
Add to R&R Radiator Support Complete w/ A/C	m	#4
<i>#Includes R&amp;R A/C Condenser</i>		
To Aim Lamps		.4
Evacuate & Recharge System	m	1.4
Recover Refrigerant	m	.3



<b>1 Bar, Tie Upper</b>			
Hatchback	96067328	s	#2.0 62.11
Conv			
w/Air Bag	96067327	s	#2.0 102.78
w/o Air Bag	96067328	s	#2.0 62.11
Sedan	96067328	s	#2.0 62.11
Retainer, Push-In†	30008324		1.36
<i>†As Required</i>			
<b>2 Support, Lock</b>	96060675	#2	19.51
<b>3 Brkt, Lock Support</b>	30007212	#2	6.10
<i>#R&amp;R Complete</i>			
<b>4 Panel, Engine Cover</b>	96060829	.2	25.41
<b>5 Panel, Air Guide</b>	96060826	.1	23.10
<b>6 Crossmember, Lower</b>	96065452	s	#1.5 166.52
<i>#w/Necessary Bolted Parts &amp; Assemblies Removed</i>			

## SIDE

Refinish Apron Assy	R/L	1.0
Refinish Lamp Panel Support	R/L	.5
Refinish Side Rail	R/L	.5



<b>1 Apron Assy†</b>			
Hatchback w/Turbo	R 96067773	s	#10.0 d404.00
	L 96067781	s	#10.0 428.40
w/o Turbo	R 96065055	s	#10.0 0.00
	L 96067778	s	#10.0 404.00
Conv			
Man Trans	R 96067771	s	#10.0 442.05
	L 96067781	s	#10.0 428.40
Auto Trans (a)	R 96067772	s	#10.0 d431.55
	L 96067782	s	#10.0 431.55
Sedan	R 96067774	s	#10.0 410.87
	L 96067780	s	#10.0 d302.00
<i>†Order by Application (a) Add† Parts &amp;/or Dealer Contact Required #w/Necessary Bolted Parts, Assemblies &amp; Fender Removed</i>			

<b>2 Panel, Lamp Support (a)</b>	R 30005849	s	2.0 39.00
	L 96062407	s	2.0 39.00
<b>3 Brkt, Bumper Bar (a)</b>	R 96063760	s	12.82
	L 96063759	s	13.20
<i>(a) Included w/Apron Assy</i>			
<b>4 Support, Bar Brkt</b>	R 96065398	s	12.14
	L 96065399	s	d12.00
<b>5 Rail, Side Floor</b>	R/L 30010486	s	3.5 61.75
<b>6 Shield, Splash</b>			
Hatchback			
w/Sport Pkg	R 96060824	.3	16.86
	L 30005606	.3	d18.15
w/o Sport Pkg	R 96060824	.3	16.86
	L 30008724	.3	15.34
Conv	R 96060824	.3	16.86
	L 30008724	.3	15.34
Sedan	R 96060824	.3	16.86
	L 30005606	.3	d18.15
<b>Tray, Battery</b>	96062445	#4	d57.11
<i>#Includes R&amp;R Battery</i>			

<b>Brkt, Hold-Down</b>	30016827		13.27
<b>Bolt, Battery Hold-Down</b>	R/L 91172250		d3.55
<b>Rod, Battery Hold-Down†</b>	R/L 30016831		6.86
<i>†Order by Application</i>			
<b>Cable, Battery-See Electrical Section Fuse &amp; Relay Box†</b>	89-91 96060464	m	d37.04
	92-94 96065819	m	38.89
<i>†Located on Left Fender Apron</i>			

## AIR BAG SYSTEM

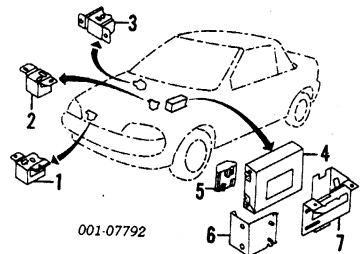
Use Procedure Explanation 30 with the following text.

### 1990-93

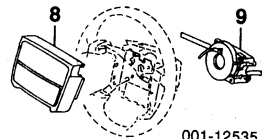
Disable & Enable Air Bag System	m	.5
Diagnose Air Bag System (if Required)	m	.5

**NOTE 1:** R&R or O/H Does Not include disable and enable or diagnose Air Bag System.

**NOTE 2:** Refer to Procedural Explanation 30 for Supplemental Restraint/Air Bag System Component Inspection and Replacement Information.



<b>1 Sensor, Front</b>	96063915	m	.7 163.86
<b>2 Sensor, Pass Comp†</b>	96063916	m	.8 149.00
<b>3 Sensor, Arming</b>	96063914	m	2.3 163.86
<b>4 DERM Unit†</b>	1228874	m	1.2 R213.88
<i>†Remanufactured Part. Contact Dealer for Core Charge &amp; Exchange Information</i>			
<b>5 Resistor, Air Bag</b>	96063917	m	.7 d37.00
<b>6 Brkt, Module Front</b>	96064235	m	6.80
<b>7 Brkt, Module Rear</b>	96064250	m	d10.35

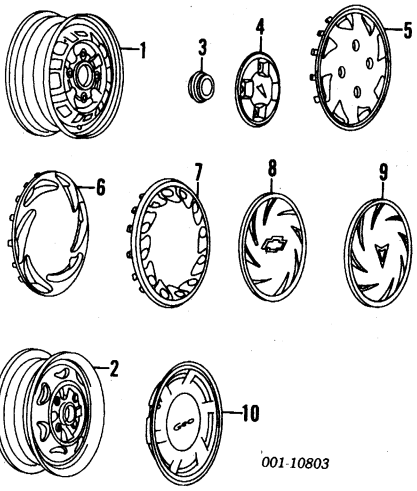


<b>8 Module, Air Bag</b>	96065853	.2	679.22
<b>9 Switch, Combination</b>	90-91 96063909	.7	462.29
	92-93 96067984	.7	d468.18

## WHEEL

Use Procedure Explanation 10 with the following text.

Refinish Wheel	.5
Add to R&I Spare Wheel & Tire Assy	.2



<b>Wheel, Steel</b>			
12x4			
USA			
<b>1 Silver</b>	96057463	.3	d101.57
<b>Black</b>	30004009	.3	109.21
13x4-1/2			
Canada			
<b>2</b>			

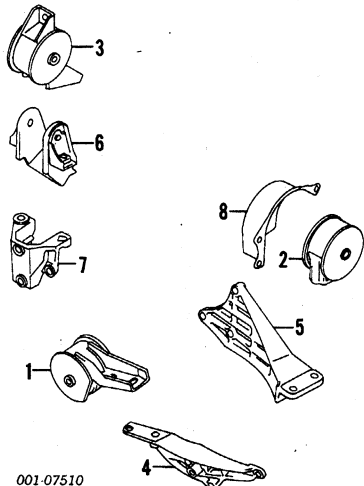




# GEO METRO/SPRINT 1989-94

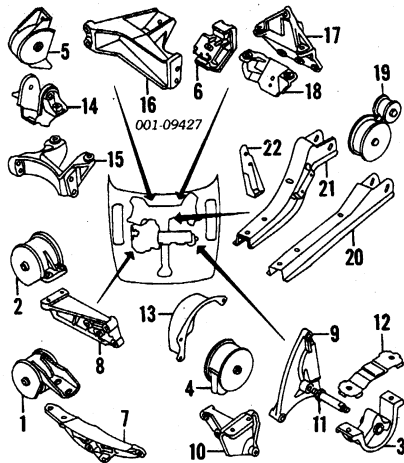
## ENGINE MOUNTS Cont'd

### MAN TRANS Cont'd



Left Only #w/Mount Removed 96060021 #.2 15.12

### AUTO TRANS



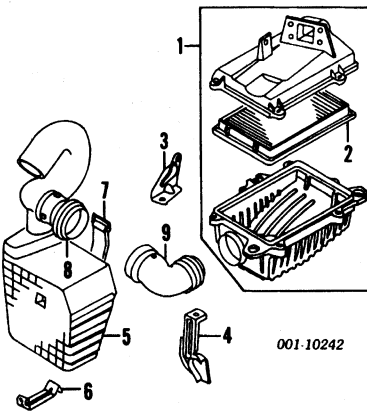
Mount, Engine Front Right			
1	1.0L Eng To 3-91	96060013	.7 d50.84
	From 3-91	30009342	.7 131.22
2	1.3L Eng	30007888	.7 115.89
Mount, Engine Front Left			
3	1.0L Eng Hatchback To 3-91	96064483	1.1 d33.05
	From 3-91	30009343	1.1 131.22
	Conv To 3-91	96064483	1.1 d33.05
	From 3-91	30009343	1.1 131.22
4	1.3L Eng	96065052	1.1 59.14
Mount, Engine Rear			
5	1.0L Eng 89-90	96062357	1.3 51.84
	91-94	96066384	1.3 51.59
		96062357	1.3 51.84
6	1.3L Eng		
Bracket, Eng Mount Right			
7	1.0L Eng	96067975	#.2 60.32
8	1.3L Eng	96066382	#.2 45.14
Bracket, Eng Mount Left			
9	1.0L Eng To 3-91	96060020	#.2 d26.00
	From 3-91		
	Upper Half	30005385	#.2 d36.50
	Lower Half	30005386	8.70
10	1.3L Eng	96066383	#.2 43.59
Stud, Left Eng Mount			
11	1.0L Eng To 3-91	96060016	#.1 4.50
	From 3-91	30005373	#.1 d2.25
#w/Mount Removed			
12	Bracket, Left Eng Mount 1.0L Eng To 3-91	96064484	# 12.74
13	Bracket, Left Eng Mount To Body 1.3L Eng	96060021	# 15.12

### #Included in R&R Mount

14	Brkt, Rear Mount Upper 1.0L Eng 1991-94	30009761	#.2	16.83
#w/Mount Removed				
15	Brkt, Body Mount Rear 1.0L Eng	89-90 96060025 91-94 30005388 30005527	#.3	d12.95 38.80 d51.80
16	1.3L Eng Brkt, Rear Eng Mount To Eng		#.3	
17	Upper 1.0L Eng 89-90	96061281	#.2	45.25
	1.3L Eng	96061281	#.2	45.25
18	Lower 1.0L Eng 89-90	96061280	#.2	d45.25
	1.3L Eng	96061280	#.2	d45.25
#w/Mount Removed				
19	Rod, Rear Torque-Mount Brkt, Torque Rod	96060030	.6	57.69
20	1.0L Eng	96061672	#.2	d37.63
21	1.3L Eng	96067564	#.2	27.36
22	Brace, Torque Rod Brkt 1.0L Eng	30006523	#.2	10.21
	1.3L Eng	30005529	#.2	7.82

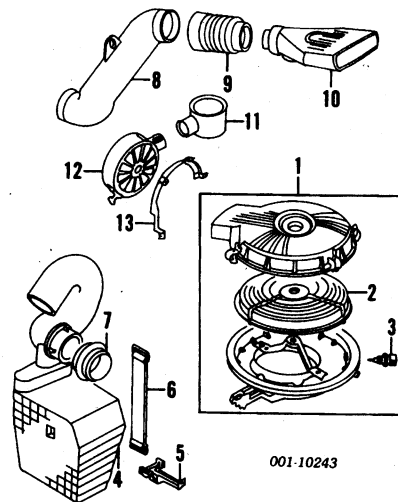
## AIR CLEANER

### W/TURBO



1	Cleaner Assy, Air	96062041	.5	d133.00
2	Element, Cleaner	96062042	.3	0.00
#Included w/Air Cleaner Assy				
3	Brkt, Cleaner Upper	96062045		d1.23
4	Brkt, Cleaner Lower	96062044		d1.30
5	Resonator	96065138	.2	86.30
6	Brkt, Resonator 89-90	96061664		d4.58
	91	30015564		9.61
7	Band, Resonator	96062312		3.10
8	Grommet, Resonator	96062313		d3.20
9	Pipe, Air Suction	96062505		d11.88

### W/O TURBO

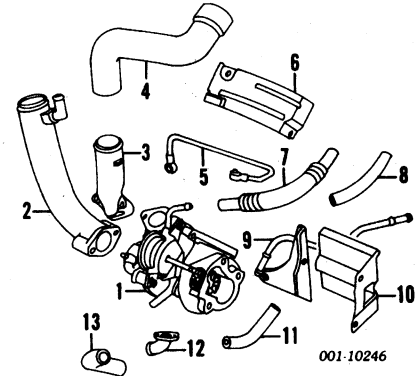


1	Cleaner Assy, Air 1.0L Eng	89-91 96064418 92-94 96065717	.5	d256.00 280.28
	1.3L Eng	96066400	.5	212.00
2	Element, Cleaner	25099249	.3	0.00
3	Sensor, Air	89-91 96060084 92-93 96065716	.2	61.42 61.42

### #Included w/Air Cleaner Assy

4	Resonator	89-90 96065138	.5	86.30
5	Bracket, Resonator	89-90 96061664 91-93 30015564		d4.58 9.61
6	Band, Resonator	96062312	.2	3.10
7	Grommet, Resonator	96062313		d3.20
8	Pipe, Air Suction	96060030	.1	36.30
9	Hose, Cleaner Inlet 1.0L Eng	96061660		16.45
	1.3L Eng	96062505	.1	d11.88
10	Duct, Cleaner Hose 1.0L Eng	96061659	.1	21.83
	1.3L Eng	30005535	.1	13.50
11	Hose, Resonator 1.3L Eng Only	30008705		13.32
12	Resonator 1.3L Eng	92 30008704 93-94 96068115	.2	24.55 49.38
13	Brkt, Resonator 1.3L Eng	30008706	.2	d4.90

## TURBOCHARGER



1	Turbocharger	96062049	m	4.0	1427.14
2	Pipe, Inlet	96062519	m	.6	d63.25
3	Pipe, Outlet	96055490	m	.5	d29.00
4	Hose, Turbo Outlet	96062524	m	.5	d13.00
5	Tube, Oil Feed	96062050	m	.7	d19.30
6	Shield, Front	96055494	m		d10.45
7	Pipe, Water Inlet	96062085	m	.6	d9.20
8	Hose, Water Return	96062085	m	.5	d9.20
9	Pipe, Water Outlet	96062087	m	.5	d24.15
10	Shield, Side	96055495	m		d5.90
11	Hose, Water Return	96062085	m	.5	d9.20
12	Elbow, Oil Return	96055484	m	.7	d17.80
13	Hose, Oil Return	96055486	m	.7	d31.25

## EXHAUST

Manifold, Exhaust					
1.0L Eng					
w/Turbo	96062056	m	1.6	d127.00	
w/o Turbo	96069341	m	1.6	154.60	
1.3L Eng	911776937	m	1.3	154.60	
Shield, Manifold					
1.0L Eng					
w/Turbo	96062046			d7.93	
w/o Turbo	96060097			15.15	
1.3L Eng	96066403			20.96	
Sensor, Oxygen					
1989-93	25162693	m	#.6	52.81	
1994					
Man Trans	91177409	m	#.6	278.63	
Auto Trans					
w/Calif Emission	91177409	m	#.6	278.63	
w/o Calif Emission	25162693	m	#.6	52.81	
#w/ A/C Add .3					
Pipe, Front (w/Catalyst)					
1.0L Eng					
w/Turbo	96064415		.6	630.06	
w/o Turbo	96067598		.6	817.83	
1.3L Eng	96066404		.6	642.66	
Muffler & Rear Pipe					
w/Turbo	96062059		#.7	d249.00	
w/o Turbo					
Hatchback					
2 Door	89-91 96066286		#.7	368.43	
	92-94 30007808		#.7	371.01	
4 Door	30007809		#.7	400.35	
Conv	96066286		#.7	368.43	
Sedan					
Muffler	96066407		#.7	340.26	
Rear Pipe	96066405		#.7	220.59	

#Order by Application

#R&R Complete, Includes Clamps, Hanger & Brackets

## EMISSION SYSTEM

Valve, EGR					
Man Trans					
w/Turbo	96067607	m	.6	130.52	
w/o Turbo	96055570	m	.6	126.30	
Auto Trans	96060166	m	.6	126.30	
Modulator, EGR	96060167	m	.5	104.51	
Valve, 3-Way Solenoid	96060168	m	.8	84.79	





# GEO METRO/SPRINT 1989-94

## INSTRUMENT PANEL Cont'd

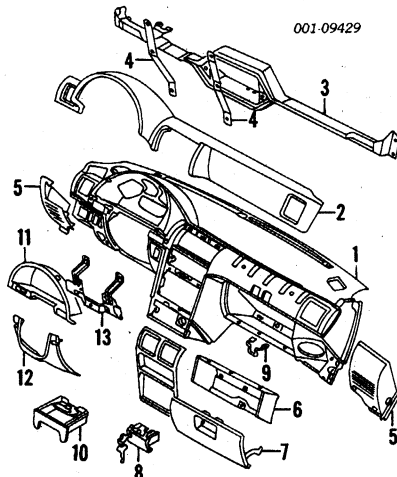
### 1989-91 Cont'd

w/Tachometer w/o Tachometer 1990-91	96063359 96063886	m m	d1014.00 d485.00
w/Tachometer w/o Tachometer Conv	96063076 96063075 96063886	m m m	d622.72 d343.57 d485.00
<i>Order by Application</i>			
6 Grille, Speaker	89 R 30002080 L 30002083 90-91 R 30002079 L 30002082 R/L 30002663		.2 d28.50 .2 d0.00 .2 d11.35 .2 d11.35 38.42
Speaker, Radio Radio]	AM-FM Stereo 16139841 AM-FM Stereo-Cassette 16139841	.8 .8	d387.90 d387.90
<i>Order by Application</i>			
7 Cover, Column (a) (a) Order by Application	30002071	.2	d13.00
8 Cover, Panel Center	96060851	.2	39.48
9 Ashtray & Bracket	96061170		42.30
10 Case, Ashtray-Serviced w/Ashtray & Brkt			
11 Panel, Glove Box Upper	96060834		d25.25
12 Lid, Glove Box w/Turbo w/o Turbo Japan Built	96063118	.3 .3 .3	d30.50 d30.50 d33.60
1989	96063118	.3	d30.50
1990	96063117	.3	d33.60
1991			
Hatchback	96063117	.3	d33.60
Conv	96063118	.3	d30.50
Canada Built	96064552	.3	d33.60
13 Lock, Glove Box #R&R Complete	96052563	.3	23.07

### 1992-94

R&I Instrument Panel ..... m 3.0

**NOTE: All Parts in this section are included in R&R Instrument Panel unless noted otherwise.**



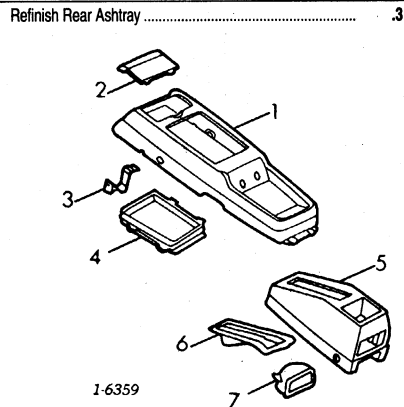
1 Panel, Instrument]	Hatchback, Conv 96065917 Sedan 96066296	m m	5.3 264.40 5.3 d242.00
2 Pad, Instrument Panel]	Hatchback, Conv 96067242 Sedan 96067289	4.5 4.5	d284.00 d275.00
<i>Gray listed, Order by Application</i>			
3 Reinf, Inst Panel Hatchback	92 96067464 93-94 30008536 92-93 96067465 92 96067464 93-94 96067464 R/L 30008291-0	.5 .5 .5 .5 .5	d191.00 186.40 d172.00 d191.00 d191.00 28.80
4 Brace, Center #R&R Complete, w/Instrument Panel Removed, Not Included in OH		.5	28.80
5 Grille, Speaker Hatchback, Conv	R 96066998 L 30009530 Sedan R 96067013 L 96066999 30007319	.2 .2 .2 .2 .2	38.07 27.66 26.00 28.89 25.90
6 Box, Glove #w/Door Removed		.2	25.90
7 Door, Glove Box Hatchback, Conv	96066295 96065921	.3 .3	d45.80 52.72
8 Lock w/Keys, Glove Box Hatchback	Base Model 30007777 LSI Model 96065920 Conv 96065920 Sedan 96066897	.3 .3 .3 .3	d40.33 d68.56 d68.56 d36.42
<b>#R&amp;R Complete</b>			
9 Striker, Lock	30007327		4.45

10 Ashtray	91176799		72.99
11 Bezel, Cluster	96065919	.3	94.94
12 Trim, Column Lower Hatchback Conv Sedan Sedan	30008947 30007354 96065933	.3 .3 .3	32.86 d13.35 30.18
13 Bolster, Knee Conv	96065942		d59.75

## CENTER CONSOLE

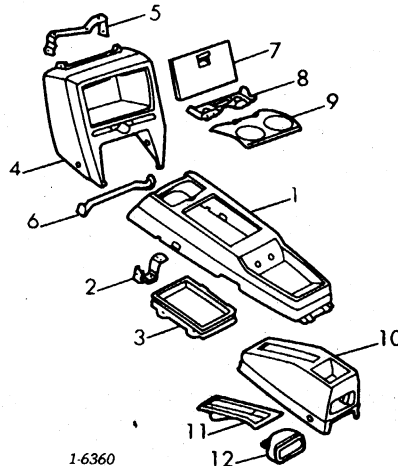
Use Procedure Explanation 14 with the following text.

### 1989-91 BASE MODEL



1 Console, Center]	96063129	.6	d62.25
2 Door, Console Box]	96063132		d8.10
<i>Order by Application</i>			
3 Bracket, Console	96062280	.8	7.71
4 Bezel, Shifter Opng	96060928	.2	d9.90
5 Cover, Park Brake Lever	96063134	.3	11.87
<i>Order by Application</i>			
6 Cover, Brake Lever Lwr	96063136	.2	11.87
7 Ashtray, Rear] (P)	96061173		23.84
<i>Order by Application</i>			
<i>(P) Paint to Match</i>			

### 1989-91 LSi Model

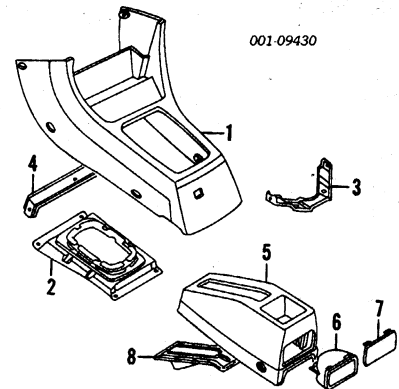


1 Console, Center]	96063129	.6	d62.25
2 Door, Console Box]	96063132		d8.10
<i>Order by Application</i>			
2 Brkt, Center Console #w/Center Console	96062280	.8	7.71
3 Bracket, Shift Boot #Included in R&R Center Console	96060928	.2	d9.90
4 Box, Console Front]	96063416	.3	d40.75
<i>Order by Application</i>			
<b>#w/Center Console Removed</b>			
5 Brkt, Console Upper	96060922	.1	d8.95
6 Brkt, Console Lower	96060923	.1	d7.75
<b>#w/Console Removed</b>			
7 Door, Console Box]	96063417	.2	d16.65
<i>Order by Application</i>			
Lock, Console Door #R&R Complete, Included in R&R Front Console	96060919	.2	d17.15
8 Guide, Cup Holder	96060921	.2	d24.10
9 Holder, Cup	96060920	.2	d11.25
<b>#R&amp;R Complete, Included in R&amp;R Front Console</b>			
10 Cover, Park Brake Lever	96063134	.3	11.87
11 Cover, Brake Lever Lwr	96063136	.3	11.87
12 Ashtray, Rear] (P)	96061173	.3	23.84

*Order by Application*  
*(P) Paint to Match*  
**#R&R Complete**

### 1992-94

Refinish Rear Ashtray ..... 3



1 Console, Front w/Storage Hatchback, Conv Sedan w/o Storage	96065971 96066219 96067647	.4 .4 .4	72.10 70.25 53.10
2 Brkt, Shift Boot 92 93-94	96066861 96066861	.# .	d9.95 d9.95
<b>#Included in R&amp;R Front Console</b>			
3 Bracket, Center	30007445	.#1	8.90
4 Bracket, Front #w/Front Console Removed	30007444	.#1	8.90
5 Cover, Park Brake Lever Hatchback, Conv Sedan	96065976 96063134	.#3 .#3	11.65 11.87
6 Ashtray, Rear Hatchback Conv Sedan (P)	30007750 N.A. 30002443	.#3 .#3 .#3	18.70 0.00 18.90
<i>(P) Paint to Match</i>			
7 Cover, Ashtray Opening #R&R Complete	91175895	.#3	3.13
8 Cover, Brake Lever Lwr Hatchback, Conv Japan Built Canada Built Sedan	96063136 96067277 96063134	.# .# .#	11.87 d8.55 11.87
<b>#Included in R&amp;R Park Brake Lever Cover</b>			

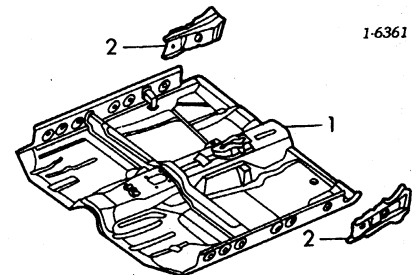
## ROCKER/PILLARS/FLOOR

Use Procedure Explanations 14, 15 and 28 with the following text.

### ROCKER/PILLARS

Panel, Side Body-See Uniside Assembly Section

### FLOOR



1 Pan, Front Floor Hatchback	30001935		376.05
2 Door			
4 Door Man Trans	89-91 96061785 92-94 96066325		400.26 365.10
Auto Trans	89-91 96055154 92-94 96066325	.#14.0 .#14.0	d297.00 365.10
Conv Man Trans	89-91 96063958 92-93 96066306	.#14.0 .#14.0	d517.00 d542.85
Auto Trans	89-91 96063958 92-93 96066306	.#14.0 .#14.0	d517.00 d542.85
Sedan	96066325	.#14.5	365.10
2 Reinf, Floor Side Hatchback			
2 Door	R/L 96060716-7	1.5	28.22
4 Door	R/L 96061303-4	1.5	24.92
Conv	R/L 96060716-7	1.5	28.22
Sedan	R/L 96061303-4	1.5	24.92



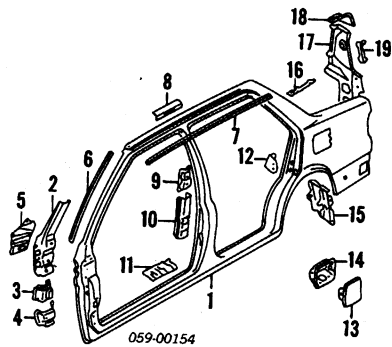


# GEO METRO/SPRINT 1989-94

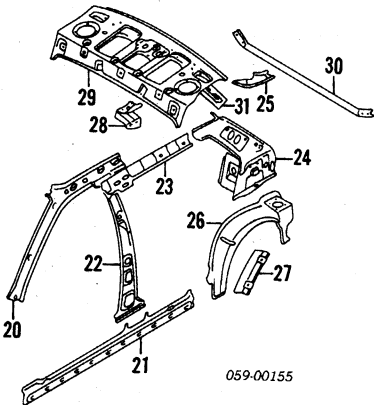
6 Lower			
	90 R	96063536	#.3
	L	96063775	#.3
	91 R	30004305	#.3
	L	30004307	#.3
	92-94 R	30007498	#.3
	L	30007503	#.3
	89 R	96061359	#.3
	L	96063311	#.3
	90-91 R	96063159	#.3
	L	96063162	#.3
	92-94 R	30007495	#.3
	L	30007500	#.3
<b>#R&amp;R One Side Complete</b>			
7 Plate, Rear Scuff			
	89 R	96061355	.2
	L	9606672	.2
	90-91 R/L	96063149-50	.2
	92-94 R	30007478	.2
	L	30007479	.2
8 Trim, Quarter Window			
	1989	R/L 96069289-90	.3
	1990-91	R/L 96063165-6	.3
	1992-94	R 30007512	.3
	L	30007514	.3
9 Trim, Quarter Front			
	1989	R 96061357	#.4
	L	96061358	#.4
	1990-91	R 96063154	#.4
	L	96063158	#.4
	1992-94	R 30009326	#.4
	L	30009339	#.4
10 Trim, Quarter Rear			
	1989	R 96067317	#.4
	L	96067318	#.4
	1990-91	R 96067832	#.4
	L	96067834	#.4
	1992-94	R 30010220	#.4
	L	30010224	#.4
<b>#R&amp;R One Side Complete</b>			
11 Cover, Shock			
	89 R	96060948	d9.00
	L	96060950	d9.00
	90-91 R	30002171	d11.00
	L	30002177	d11.00
	92-94 R	30007507	d12.00
	L	30007510	d23.63
}Order by Application			
12 Outlet, Qtr Vent R/L 96063804 20.24			
13 Film, Quarter Rear R/L 91171646 6.18			

## SHEET METAL 4 DOOR SEDAN

Refinish Side Body Panel Complete	
Right.....	5.5
Left.....	#5.5
Refinish Quarter Outside	
Right.....	2.0
Left.....	#2.0
<b>#Includes Refinish Fuel Door</b>	
Add to Edge Panel	
1989-93.....R/L	.5
1994.....R/L	.5
Add for Pillar.....R/L	.5
Refinish Hinge Pillar.....R/L	1.0
Refinish Center Pillar.....R/L	1.0
Refinish Rocker Panel Complete.....R/L	1.5
Refinish Front or Rear.....R/L	1.0
Refinish Fuel Door.....R	.4
R&R Qtr Panel Section.....R	#13.0
L	#13.5
R&R Both Quarter Panels.....	#23.1
R&R Roof & Both Quarter Panels.....	#35.2
R&R Rear Body Panel & Both Quarter Panels.....	#27.7
R&R Roof, Both Quarter & Rear Body Panel.....	#39.8
<b>#Quarter Panel Is cut through Rear Glass Opening &amp; Vertical cut through Rocker in Front of Quarter</b>	
Section Rocker Panel	
Complete.....R/L	7.0
Section Rocker Panel	
Front or Rear.....R/L	4.0
Section Front Hinge Pillar.....R/L	#6.5
<b>#Cut Through Windshield Post at Base</b>	
Section Center Pillar.....R/L	#5.0
<b>#Cut Below Roof at Base of Pillar</b>	
Add to R&R Quarter Panel	
To R&I Back Glass.....	.3

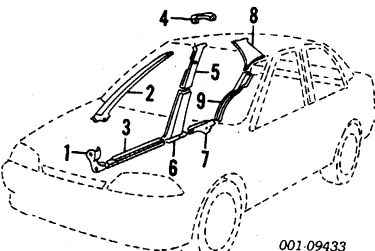


1 Panel, Side Body	R 96067191	s #24.5	508.50
	L 96067192	s #25.0	d508.50
<b>#Includes R&amp;R Rear Glass, After Bolted Parts, Assemblies, Windshield, Door, Instrument Panel &amp; All Necessary Interior Trim &amp; Headliner Removed, Deduct 4.5 w/Roof Removed, Deduction Includes Common Surfaces &amp; Included Operations</b>			
2 Reinf, Front Pillar			
	Upper	R/L 30003012-3	
3 Reinf, Center	R 96060748	s 1.5	32.04
	L 96060758	s 1.0	d23.85
4 Reinf, Lower	R 96060750	s 1.0	d23.85
	L 96060760	s 1.0	d22.73
5 Gusset, Upper Reinf	R 96066588	s	22.73
	L 96066594	s	d19.66
6 Rail Pillar Drip	R/L 96061744-5	s	d19.66
7 Rail, Roof Drip-See Roof Section		.5	22.27
8 Reinf, Upper Center	R/L 96066607		
9 Reinf, Center Pillar		.5	d36.08
9 Upper	R 96061325	s #1.5	14.85
	L 96061332	s #1.5	14.85
10 Center	R/L 96063571-2	s #1.5	30.72
<b>#R&amp;R One Side Complete</b>			
11 Lower	R/L 96061320	s 1.0	9.56
12 Reinf, Door Striker	R 96066608		d14.26
	L 96066617		d14.26
13 Door, Fuel Filler	R 96067293	#.3	d20.03
<b>#Included in R&amp;R Quarter Panel</b>			
14 Housing, Filler Door	R 96067294		d0.00
15 Reinf, Splash Shield	R 96066642	.3	12.50
	L 96066643	.3	12.71
16 Bracket, Trunk Strut	R 96068602		d7.80
	L 96068612		d7.80
17 Panel, Lamp Hsg	R 96066800	#2.0	37.47
	L 96066610	#2.0	37.47
<b>#Includes R&amp;R Extension &amp; Lamp Bracket</b>			
18 Extension, Lamp Hsg	R 96066601		14.80
	L 96066611		14.80
19 Bracket, Lamp	R 96066604		d10.55
	L 96066614		10.77



20 Rail, Front Inner	R/L 96061738-9	s 1.5	62.04
21 Reinf, Rocker Panel	R 96061307	s 2.5	46.53
	L 96061314	s 2.5	46.53
22 Panel, Pillar Inner	R 30004220	s 2.5	61.93
	L 30004222	s 2.5	63.78
23 Reinf, Roof Side Inner	R 96066589	1.5	d32.77
	L 96066595	1.5	d32.77
24 Panel, Rear Pillar Inner	R 96066590	3.0	d146.45
	L 91175994	3.0	146.45
25 Extension, Rear Pillar	R 96066603		d16.63
	L 96066613		16.63
26 Wheelhouse, Outer	R 96066591		80.85
	L 96066597		80.85
27 Brace, Outer Wheelhouse	R/L 96062260	s 2.5	7.88
28 Support, Panel	R 96066593		19.86
29 Tray, Package	96066627	#3.0	d167.81
<b>#Includes R&amp;R Crossmember &amp; Lower Back Window Member</b>			
30 Crossmember, Tray	96066592		71.00
31 Member, Back Window	96066628		d40.68

## INTERIOR TRIM 4 DOOR SEDAN



1 Panel, Dash Side	R 91172097	.2	20.12
	L 96066878	.2	58.36
2 Trim, Pillar	R 96066667	.2	19.90

3 Plate, Front Scuff	L 96066668	.2	d19.90
Trim, Door Opening	R/L 96066669	.2	21.10
Front			
Rear	R/L 96066663	#.3	d270.00
	R/L 96066663	#.3	d270.00
<b>#Not Included in R&amp;R Door Shell</b>			
4 Grip, Assist (3)	96067859	.1	d18.20
Trim, Center Pillar			
5 Upper	R 96066676	.2	d28.75
	L 96066678	.2	d25.25
6 Lower	R 96066675	.3	d28.25
	L 96066677	.3	d28.25
7 Plate, Rear Scuff	R 96066671	.2	d35.75
	L 96066672	.2	36.75
8 Trim, Quarter Upper	R 96068471	.2	35.75
	L 96068472	.2	32.00
9 Trim, Quarter Lower	R/L 96066730-1	.2	31.20
Outlet, Qtr Vent	R/L 96066896	.3	d270.00
			24.99

## FRONT SEAT

Use Procedure Explanation 30 with the following text.

R&I Front Seat Assy (Each Side).....R/L		.3	
Adjuster, Seat			
Hatchback (a)			
Passenger Side	R 96061139	#.6	89.25
	L 30002418	#.6	79.43
Driver Side	R 96061140	#.6	142.00
	L 96061141	#.6	74.18
Conv			
Passenger Side	R 96064199	#.6	d106.00
	L 96064197	#.6	d151.00
Driver Side	R 96064200	#.6	d151.00
	L 96064201	#.6	118.00
Sedan			
Passenger Side	R 96066783	#.6	d78.75
	L 96066781	#.6	d78.75
Driver Side	R 96061140	#.6	142.00
	L 96061141	#.6	74.18

## #R&R Both One Seat .8

Adjuster, Recline (a)			
Passenger Side	96063535	.6	d143.00
Driver Side	89 96061135	.6	199.60
	90-94 30002938	.6	196.06
(a) Order by Application			
Cover, Recline Adj			
Passenger Side	R 30002414	.2	d26.00
Driver Side	L 30002619	.2	d26.00
}Order by Application			

## REAR SEAT

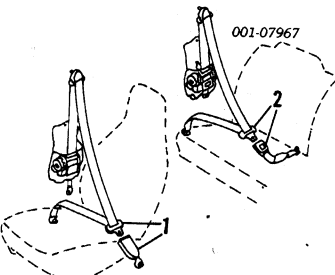
Use Procedure Explanation 30 with the following text.

R&I Rear Seat Assy.....		.5	
-------------------------	--	----	--

## SEAT BELTS

Use Procedure Explanation 30 with the following text.

1 Belt Assy, Front Seat			
Hatchback			
2 Door	89 R 91171946	#.5	190.51
	L 91171961	#.5	185.01
4 Door	90-94 R/L 91171962	#.5	574.49
	89 R 96069224	#.5	196.95
	L 96069228	#.5	195.19
	90-94 R 91171952	#.5	590.70
	L 91171965	#.5	590.70
Conv	R 91171997	#.5	288.11
	L 91172011	#.5	218.62
Sedan	R 96068908	#.5	225.07
	L 96066766	#.5	71.50
2 Belt Assy, Rear Seat	89 R 91171975	#.4	189.90
	L 91171983	#.4	193.57
	90-94 R 91171975	#.4	189.90
	L 91171983	#.4	193.57
}Order by Application			
#w/Trim Removed			



## FRONT DOOR

Use Procedure Explanations 16 and 28 with the following text.

<b>SHEET METAL</b>	
Refinish Door Outside	
2 Door.....R/L	2.3
4 Door.....R/L	2.2
Add for Jamb & Interior.....R/L	1.0

# GEO METRO/SPRINT 1989-94

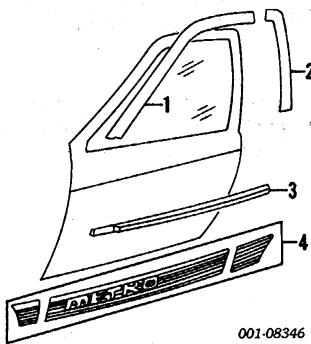
## FRONT DOOR Cont'd

### SHEET METAL Cont'd

Add for Jamb	R/L	.5	
R&I Door Assy	R/L	.5	
Add to R&R Door Shell			
w/Mirror	R/L	.2	
<b>Shell, Door</b>			
Hatchback			
2 Door			
USA			
1989			
Xfi Model	R 91173063	3.0	428.16
	L 91173064	3.0	435.42
Base, LSi Model	R 91173063	3.0	428.16
	L 96064549	3.0	d404.80
1990-94	R 96067197	3.0	440.57
	L 96067198	3.0	437.10
Canada			
w/Mldg Clip Hole	R 91173063	3.0	428.16
	L 91173064	3.0	435.42
w/o Mldg Clip Hole	R 91173063	3.0	428.16
	L 96064549	3.0	d404.80
4 Door			
USA	R 91173065	3.0	374.26
	L 91173056	3.0	d428.16
Canada	89-90 R 91173065	3.0	374.26
	L 91173056	3.0	d428.16
	91-94 R 91173065	3.0	374.26
	L 91173056	3.0	d428.16
Conv	90-93 R 96067134	3.0	476.70
	L 96067135	3.0	d476.70
Sedan			
To VIN NK212403	R 91173065	3.0	374.26
	L 91173056	3.0	d428.16
From VIN NK212404	R 91173065	3.0	374.26
	L 91173056	3.0	d428.16
Panel, Door Repair-Serviced w/Door Shell			
Bar, Reinf-Serviced w/Door Shell			

### EXTERIOR TRIM

Refinish Side Moulding	R/L	.4	
R&I Window Frame Moulding	R/L	#.3	
#R&I One Side Complete			
R&I Rear View Mirror	R/L	.2	

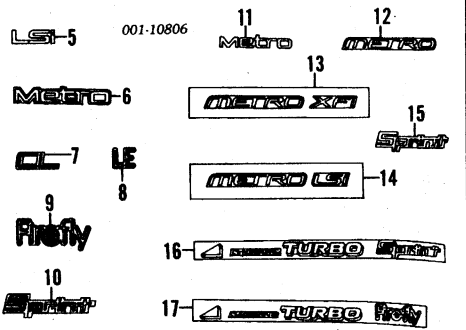


### Moulding, Window Frame

Hatchback			
2 Door			
1 Front	R 96067199	#.3	66.95
	L 96067200	#.3	d59.48
2 Rear	R 30003185	#.3	38.52
	L 30003186	#.3	37.40
4 Door			
Front	R 96067208	#.3	77.00
	L 96067209	#.3	66.33
Rear	R 96063504	#.3	34.10
	L 96063505	#.3	46.18
Sedan			
Front	R 96067208	#.3	77.00
	L 96067209	#.3	66.33
Rear	R 96063504	#.3	34.10
	L 96063505	#.3	46.18
#R&R One Side Complete			
3 Moulding, Side			
Adhesive			
Hatchback			
2 Door			
Black	R 96061725	.2	60.41
	L 96061726	.2	59.23
Painted (P)	R 96061725	.2	60.41
	L 96061726	.2	59.23
4 Door			
Black	R 96061371	.2	d65.60
	L 96061376	.2	89.40
Painted (P)	R 96061371	.2	d65.60
	L 96061376	.2	89.40
Conv (P)	R 96061725	.2	60.41
	L 96061726	.2	59.23
Sedan	R 91173266	.2	114.24
	L 91173268	.2	123.50
(P) Paint to Match			
4 Tape Set (Hatchback)			
"METRO"			
2 Door	R/L 30004044	.2	71.00

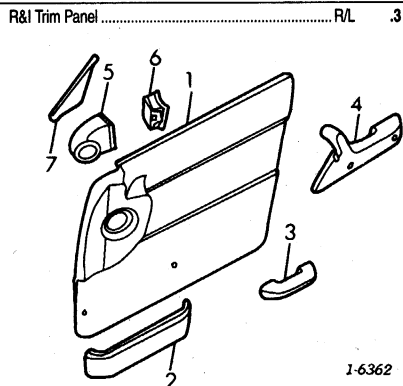
4 Door	R 30004045	.2	84.15
	L 30004047	.2	82.58

### Order by Application



Nameplate			
5 "LSI"	R/L 96061730	.2	d27.50
6 "METRO"	R/L 96061731	.2	29.91
7 "CL"	R/L 96062546	.2	d23.60
8 "LE"	R/L 96062547	.2	d23.60
9 "FIREFLY"	R/L 96057063	.2	25.40
10 "SPRINT"	R/L 30002220	.2	d24.60
Decal, Name (a)			
11 "Metro"	30003611	.2	21.20
12 "METRO"	R/L 30008647	.2	18.70
13 "METRO XFI"	R/L 30008646	.2	21.20
14 "METRO LSI"	R/L 30008649	.2	17.20
15 "SPRINT"	R/L 96061974	.2	d18.65
16 "TURBO SPRINT"	R 96062214	d18.70	
	L 96062216	d18.70	
17 "TURBO FIREFLY"	R 96062215	d18.70	
	L 96062217	d20.40	
(a) Order by Application			
Mirror, Rear View	R 15637916	.2	60.30
	L 10199651	.2	127.12

### INTERIOR TRIM



1 Panel Assy, Trim			
1989			
2 Door			
Base Model	R 96063180	.3	d236.00
	L 96063196	.3	d236.00
LSi Model	R/L 96061052-3	.3	d212.00
4 Door			
Base Model	R 96063470	.4	d212.00
	L 96063473	.4	d212.00
LSi Model	R 96063471	.4	d212.00
	L 96063474	.4	d212.00
1990			
Hatchback			
2 Door			
Base Model	R 96068869	.3	d310.00
	L 96063201	.3	d256.00
LSi Model	R 96063183	.3	d225.00
	L 96063199	.3	d225.00
4 Door			
Base Model	R 96063742	.4	369.91
	L 96063743	.4	d236.00
LSi Model	R 96063462	.4	d225.00
	L 96063464	.4	d225.00
Conv	R/L 96064146-7	.3	d252.00
1991			
Hatchback			
2 Door			
Base Model	R 30004698	.3	d479.00
	L 30004705	.3	d479.00
LSi Model	R 30004696	.3	d479.00
	L 30004704	.3	d479.00
4 Door			
Base Model	R 30006419	.4	d479.00
	L 30006433	.4	d479.00
LSi Model	R 30006417	.4	d479.00
	L 30006434	.4	d479.00
Conv	R 96064614	.4	d252.00
	L 96064621	.4	d252.00
1992-94			
Hatchback			

2 Door			
Base Model	R 30009618	.3	d546.00
	L 30009631	.3	d557.00
LSi Model	R 30009616	.3	d546.00
	L 30009630	.3	d546.00
4 Door			
Base Model	R 30009625	.4	d546.00
	L 30009633	.4	d552.00
LSi Model	R 30009622	.4	d546.00
	L 30009629	.4	d546.00
Conv	R 96067170	.4	d315.00
	L 96067171	.4	d288.00
Sedan	R/L 96067168-9	.4	d531.00

### Order by Application

2 Pocket, Door Panel (a)			
1989	R/L 96062394	#.2	d14.60
1990-91			
Hatchback	R 96063194	#.2	d15.50
	L 96063208	#.2	d15.50
Conv	R/L 96063192	#.2	d18.60
1992-93			
Hatchback	R/L 30007598	#.2	d18.60
Conv	R/L 30007597	#.2	d20.20
Sedan	R 96066728	#.2	d24.15
(a) Included w/Trim Panel Assy			
#w/Trim Panel Removed			
Armrest, Door			
3 w/Separate Grip Handle	R/L 96059265	.2	d28.50
4 w/o Separate Grip Handle	R 96063218	.2	d43.00
	L 96063220	.2	d47.50
Handle, Grip	R/L 30007658	.2	3.63
#Order by Application			
5 Duct, Door Vent			
Hatchback			
2 Door	R/L 96061754-5		d29.25
4 Door	R/L 96061760-1		d29.25
Conv	R/L 96061754-5		d29.25
Sedan-Not Applicable			
6 Vent, Door (a)			
Hatchback			
2 Door	R 96063190		d0.00
	L 96063408		d29.25
4 Door	R 96062398		d21.85
	L 91171895		d29.25
Conv	R 96063189		d19.20
	L 96063205		d19.20
Sedan-Not Applicable			
(a) Gray listed, Order by Application			
7 Filler, Mirror Inner	R 96067520		d16.30
	L 96067521		d16.90

### HARDWARE

Refinish Upper Hinge	R/L	.2	
Refinish Lower Hinge	R/L	.2	
R&I Outside Handle	R/L	#.6	
#Includes R&I Trim Panel			
001-07512			
1 Handle, Outside			
USA	R 30005967	#.3	44.96
	L 30005972	#.3	44.96
Canada	R/L N.A.	#.3	0.00
#Order by Application			
#w/Trim Removed			
2 Cylinder & Key Set			
USA	R/L 96065485-6	#.3	42.55
Canada	R/L N.A.	#.3	0.00
#w/Trim Removed, Does Not Include Recode			
3 Hinge, Upper			
1989			
USA	R/L 96060774	#.2	31.51
Canada	R/L N.A.	#.2	0.00
1990-94	R/L 96064412-3	#.2	48.95
#w/Door Removed			
4 Check, Door	R/L 96061005	#.2	d38.33
#w/Trim Panel Removed			
5 Hinge, Lower			
1989			
USA	R/L 96060774	#.2	31.51
Canada	R/L N.A.	#.2	0.00
1990-94	R/L 96060775-4	#.2	31.51
#w/Door Removed			
6 Striker, Lock	R/L 30016552	.2	11.97
7 Spacer, Lock	R/L 96052743		1.08
8 Latch, Front Door			
2 Door			
1989-91	R 91173084	#.3	116.10
	L 91173085	#.3	117.15
1992			
USA (a)	R 30008538	#.3	193.41

Canada 1983-94	L 30008542 R/L N.A. R 30009869 L 30009873	#.3 #.3 #.3 #.3	194.68 0.00 355.32 359.20
4 Door Hatchback 1989-91	R 91173086 L 91173087	#.3 #.3	127.55 d88.00
1992 USA (a)	R 30008540 L 30008544 R 30009871 L 30009875 R 91173086 L 91173087	#.3 #.3 #.3 #.3 #.3 #.3	193.41 194.68 0.00 348.35 d268.00 127.55 d88.00
Sedan	R 30008540 L 30008544 R 30009871 L 30009875 R 91173086 L 91173087	#.3 #.3 #.3 #.3 #.3 #.3	193.41 194.68 0.00 348.35 d268.00 127.55 d88.00

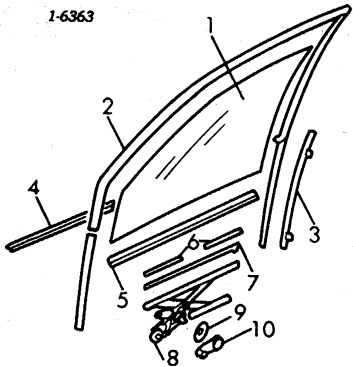
**†Order by Application**  
(a) Includes Micro Switch for Door Lock Indicator Light  
**#w/Trim Panel Removed**

9 Handle, Inside (a)	89-91 R 30006036 L 30006043 92-94 R 96066043 L 96066046	#.2 #.2 #.2 #.2	d31.03 d31.03 48.94 48.94
----------------------	--	--------------------------	------------------------------------

(a) Order by Application  
**#w/Trim Panel Removed**

### GLASS & PARTS HATCHBACK, SEDAN

1-6363



#### 1 Glass, Front Door General Motors

2 Door Clear	R 96061075 L 96061077	1.0 1.0	d149.00 d149.00
Tint	89-90 R 96061076 L 96061078 91-94 R 30004153 L 30004156	1.0 1.0 1.0 1.0	d149.00 d149.00 d164.30 d164.30
4 Door Clear	R 96061473 L 96061475	1.0 1.0	d154.00 d150.00
Tint	89-90 R 96061474 L 96061476 91-94 R 30005873 L 30005875	1.0 1.0 1.0 1.0	d157.10 d157.10 d201.02 d151.00

#### NAGS 2 Door

Clear	R/L FD03925-6CLN	1.0	165.65
Blue	R/L FD03925-6BTN	1.0	165.65
Bronze	R/L FD03925-6ZTN	1.0	165.20

#### 4 Door

Clear	R/L FD03890-1CLN	1.0	165.50
Blue	R/L FD03890-1BTN	1.0	165.50
Green	R/L FD03890-1GTN	1.0	165.50

#### 2 Run, Glass

2 Door	R 91173758 L 91173759	#.2 #.2	114.54 116.83
4 Door 1989	R 91173760 L 91173761	#.2 #.2	105.47 125.97
1990-94 USA	R 30010551 L 30010553	#.2 #.2	91.52 100.96
Canada	R 91173760 L 91173761	#.2 #.2	105.47 125.97

#### 3 Guide, Rear

2 Door	R 96067062 L 96067063	#.2 #.2	21.95 d18.29
4 Door	R 30006344 L 30006345	#.2 #.2	17.15 d20.75

#### #w/Glass Removed

4 Weatherstrip, Outer	2 Door R 96061058 L 96061059 4 Door R 96061453 L 96061454	#.3 #.3 #.3 #.3	d50.05 69.44 d48.44 74.78
-----------------------	--	--------------------------	------------------------------------

#### #w/Glass Removed

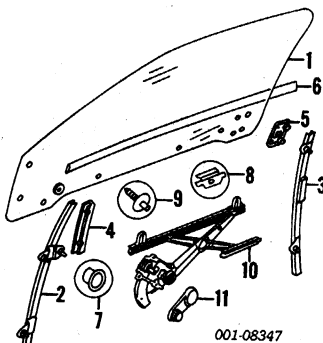
5 Weatherstrip	2 Door-Part of Trim Pad	R 96063478 L 96063479	d30.45 33.05
6 Filler, Glass Channel	89-93 R/L 96059237 94 R/L 96059234	#.3 #.3	3.20 10.92

7 Channel, Glass Bottom	2 Door R 96061041 4 Door R 96061423	#.3 #.3	22.38 23.64
-------------------------	--	------------	----------------

8 Regulator, Window			
---------------------	--	--	--

2 Door	R 91176911 L 91176912	#1.0 #1.0	108.32 113.66
4 Door	R 91176909 L 91176910	#1.0 #1.0	78.65 80.38
<b>#w/Glass Removed .3</b>			
9 Escutcheon, Handle	89 R/L 96061032 90-91 R/L 30002252 92-94 R/L 30007550	d2.35 d4.37 4.92	
10 Handle, Regulator	89 R/L 91172118 90-94 R/L 91172116	.1 .1	14.70 17.54

### GLASS & PARTS CONV



001-08347

1 Glass, Front Door General Motors (Clear) NAGS (Clear)	R/L 96064155-6 R/L FD04343-4CLN	1.0 1.0	d160.70 173.85
2 Guide, Front	R 96064124 L 96064126		d34.65 34.00
3 Guide, Rear	R 96064125 L 96064127		d34.65 d34.65
4 Bracket, Front Guide	R 96064137 L 96064143		d14.80 d15.30
5 Bracket, Rear Guide	R 96064138 L 96064144		d16.64 d15.91
6 W/Strip, Outer W/Strip, Inner†	90-93 R 96067517 L 96067518 90-91 R 96066833 L 96066834 92-93 R 96064426 L 30005727	.3 .3 .3 .3 .3 .3	d115.53 126.07 28.40 d28.40 32.44 33.42
<b>†Included w/Trim Panel Assy</b>			
7 Stopper, Glass 8 Stopper, Glass Upper	R/L 96064145		6.40
Front	R/L 96066981		d15.60
Rear	R/L 96064284		15.91
9 Bolt, Regulator (2/Side) Spacer, Bolt (2/Side)	R/L 96064141 R/L 96064142		d5.45 d5.45
10 Regulator, Window	R/L 96064132-3	#1.0	d89.23

11 Handle, Regulator	90-91 R/L 91172117 92-93 R/L 91172120		d15.80 17.54
----------------------	--	--	-----------------

### REAR DOOR

Use Procedure Explanations 16 and 28 with the following text.

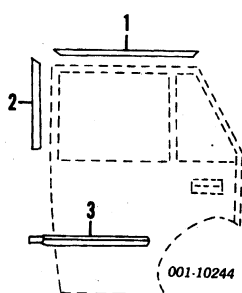
### SHEET METAL

Refinish Door Outside	R/L	2.1
Add for Jamb & Interior	R/L	1.0
Add for Jamb	R/L	.5
R&I Door Assy	R/L	.4
Shell, Door Hatchback	R/L 96067206-7	3.3
Sedan	R/L 96067212-3	3.3
Panel, Door Repair-Serviced w/Door Shell Bar, Reinf-Serviced w/Door Shell		d355.95

### EXTERIOR TRIM

Refinish Side Moulding	R/L	.4
R&I Door Glass Moulding	R/L	#.3

#### #R&I One Side Complete



001-10244

1 Moulding, Door Glass Upper Hatchback			
--	--	--	--

To 12-89	R 96061433 L 96061437 R 96067210 L 96067211	#.3 #.3 #.3 #.3	d38.00 d41.75 34.50 d34.50
2 Sedan Front	R/L 96067214-5 R 96061434 L 96061438	#.3 #.3 #.3	40.60 d56.80 58.50

#### #R&R One Side Complete

3 Moulding, Side Adhesive Hatchback Black	R 96061381 L 96061386	.2 .2	57.85 57.85
Painted (P)	R 96061381 L 96061386	.2 .2	57.85 57.85
Sedan	R/L 91173269-70	.2	81.83

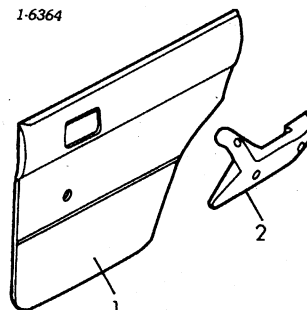
(P) Paint to Match

Tape, Stripe-See Front Door Section

### INTERIOR TRIM

R&I Trim Panel	R/L	.3
----------------	-----	----

1-6364



1 Panel Assy, Trim† Hatchback	89 R 96061446 L 96061449 90 R 96063367 L 96063370 91 R 30006436 L 30006447 92-94 R 30007821 L 30007830	.3 .3 .3 .3 .3 .3 .3	d210.00 d210.00 d223.00 d223.00 d234.00 d234.00 d267.00 d267.00
Sedan	R/L 96066730-1	.3	d270.00

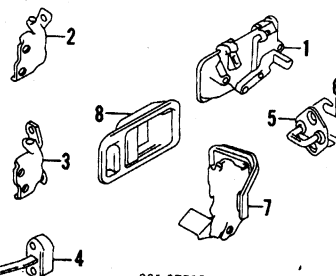
2 Armrest† Hatchback	w/Separate Grip Handle R/L 96059265 w/o Separate Grip Handle 89-91 R 96063221 L 96063223	.2 .2 .2	d28.50 d42.75 d42.75
92-94 R 30007661 L 30007663		.2 .2	d49.25 d49.25
Sedan	R/L 96066065	.2	34.67

†Gray listed, Order by Application

### HARDWARE

Refinish Upper Hinge	R/L	.2
Refinish Lower Hinge	R/L	.2
R&I Outside Handle	R/L	#.5

#### #Includes R&I Trim Panel



001-07513

1 Handle, Outside†	89-91 R 30008501 L 30009572 92-94 R 30008501 L 30008503	#.2 #.2 #.2 #.2	53.15 67.77 53.15 d47.19
--------------------	--	--------------------------	-----------------------------------

†Order by Application  
**#w/Trim Panel Removed**

2 Hinge, Upper Hatchback	89-90 R 96061343 L 96061344 91-94 R 30003782 L 30003783 R 96061343 L 96061344	#.2 #.2 #.2 #.2 #.2	29.01 31.51 13.66 14.17 29.01 31.51
Sedan	R 96061343 L 96061344	#.2 #.2	29.01 31.51
3 Hinge, Lower Hatchback	89-90 R 96061344 L 96061343 91-93 R 30003783 L 30003782 R 96061344 L 96061343	#.2 #.2 #.2 #.2 #.2 #.2	29.01 29.01 14.17 13.66 31.51 29.01
Sedan	R 96061344 L 96061343	#.2 #.2	29.01 31.51

#w/Door Removed

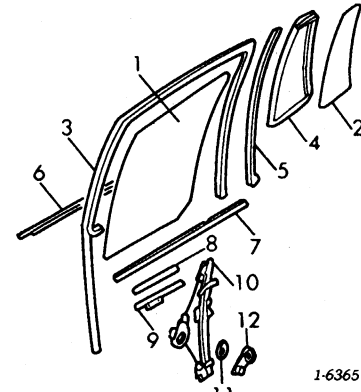
4 Check, Door #w/Trim Panel Removed	R/L 96061402	#.2	35.95
--	--------------	-----	-------

# GEO METRO/SPRINT 1989-94

## REAR DOOR Cont'd

HARDWARE Cont'd				
5 Striker	R/L	30016552	#.2	11.97
6 Spacer, Striker	R/L	96052743		1.08
7 Latch, Door	89-91 R	30004828	#.3	116.30
	L	30004829	#.3	129.37
	92-94 R	91173088	#.3	127.55
	L	91173089	#.3	114.62
#w/Trim Panel Removed				
8 Handle, Inside	89 R	30006050	#.2	30.39
Hatchback	L	30006053	#.2	28.31
	90-91 R	30006050	#.2	30.39
	L	30006053	#.2	28.31
	92-94 R	30008962	#.2	49.86
	L	30008965	#.2	44.25
Sedan	R/L	96066721-2	#.2	45.13
#w/Trim Panel Removed				

## GLASS & PARTS

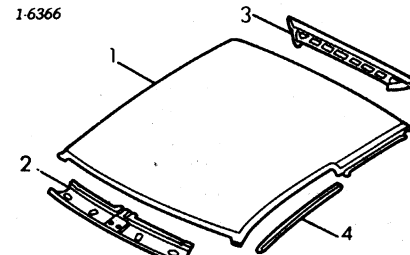


1 Glass, Door	General Motors				
Hatchback	Clear	R	96061477	1.0 d100.00	
	L	96061479	1.0	d86.00	
	Tint	89-90 R	96061478	1.0 d100.00	
	L	96061480	1.0	d88.00	
	91-94 R	30005877	1.0	d102.00	
	L	30005879	1.0	d102.00	
Sedan (Tint)	NAGS	R/L	96066747-8	1.0 104.10	
2 Glass, Stationary Vent	General Motors				
Hatchback	Clear	R	96061481	.8 d61.00	
	L	96061483	.8	d61.00	
	89-90 R	96061482	.8	d61.00	
	L	96061484	.8	d61.00	
	91-94 R	30005881	.8	d63.30	
	L	30005883	.8	d63.30	
Sedan (Tint)	NAGS	R	96066749	.8 d78.60	
	L	96066750	.8	78.60	
	Hatchback	Clear	R/L	FV03933-4CLN	.8 164.85
	Blue	R/L	FV03933-4BTN	.8 164.85	
	Sedan	Blue	R/L	FV04268-9BTN	.8 155.60
	Green	R/L	FV04268-9GTN	.8 155.60	
3 Run, Glass	89 R	96061432	d55.00		
	L	96061436	d57.25		
	90-94 R	91173762	38.25		
	L	91173763	d71.00		
4 Weatherstrip, Vent	Hatchback	R	30003972	d48.80	
	L	30003973	48.80		
	Sedan	R	91172246	39.10	
	L	91172247	d52.00		
5 Bar, Division	Hatchback	89 R/L	96063465-6	#.2 d23.75	
	90-93 R	30003963	#.2	22.30	
	L	30003965	#.2	22.30	
	Sedan	R/L	96066716-7	#.2 26.60	
#w/Trim Panel Removed					
6 W/Strip, Belt Outer	Hatchback	R	96061455	.3 d45.08	
	L	96061456	.3	d43.50	
	Sedan	R/L	96066734-5	.3 26.80	
7 W/Strip, Belt Inner]	Hatchback	89 R/L	96061458-9	d15.85	
	90-92 R	96063375	d23.30		
	L	96063377	d23.30		
	93-94 R/L	96066970	23.10		
Sedan (a)	Front	R/L	96066970	23.10	
	Rear	R	96066739	15.80	

#Order by Application				
(a) Included w/Trim Panel Assy				
8 Filler, Bottom Channel	R/L	96059237		3.20
9 Channel, Glass Lower	R	96061424	d17.80	
	L	96061425	18.05	
10 Regulator	R	96066979	#1.0	90.75
Hatchback	R	96066980	#1.0	88.96
Sedan	R	96066979	#1.0	90.75
	L	96066980	#1.0	88.96
#w/Glass Removed .3				
11 Escutcheon, Handle	89 R/L	96061032		d2.35
Hatchback	90-91 R/L	30002252		d4.37
	92-94 R/L	30007550		4.92
Sedan	R/L	30002253		d4.45
12 Handle, Regulator	89 R/L	91172118	.1	14.70
Hatchback	90-94 R/L	91172116	.1	17.54
Sedan	R/L	91172117	.1	d15.80

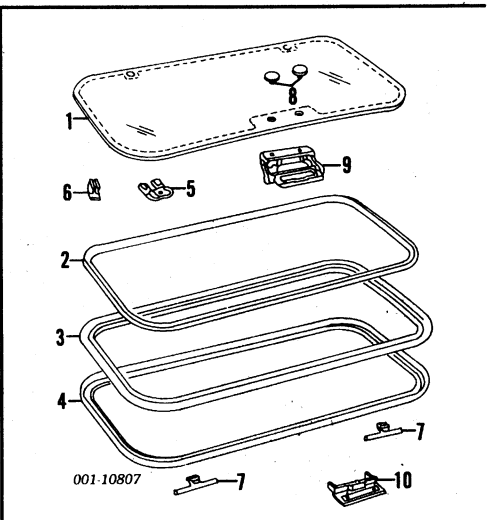
## ROOF

Use Procedure Explanations 17 and 28 with the following text.

Refinish Roof Outside				
Coupe			2.8	
Sedan			2.9	
R&I Headliner				
Coupe			2.0	
Sedan			2.5	
1-6366				
				
1 Panel, Roof				
Hatchback				
2 Door	96060765	#16.0	365.46	
4 Door	96061334	#17.0	359.37	
Sedan	91172281	#17.0	348.73	
#Add 2.5 to Modify Roof Panel for Sunroof				
2 Panel, Front Header				
2 Door	96060766	2.5	42.21	
4 Door	96061335	2.5	47.83	
3 Panel, Header Rear				
Hatchback				
2 Door	96060767	1.5	97.89	
4 Door	96061336	1.5	97.89	
Sedan	96067295	1.5	d95.75	
Rail, Roof Side-See Quarter Panel Section				
4 Rail, Roof Drip				
Hatchback				
2 Door	R	96061746	1.0	24.66
	L	96061747	1.0	23.85
4 Door	R/L	96061748-9	1.5	35.60
Sedan	R	96066806	1.5	20.59
	L	96066615	1.5	33.82
Antenna Assy				
Conv-See Fender Section				
Hatchback, Sedan	30002664	.6	54.95	
Headliner, Roof]				
Hatchback				
2 Door	30007541	2.0	306.60	
4 Door	30007542	2.5	d277.00	
Sedan	96067136	2.5	d186.00	
#Gray listed, Order by Application				

## SUNROOF

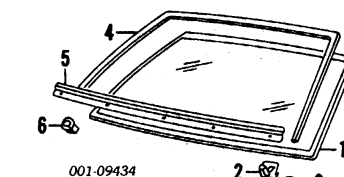
O/H Sunroof Assy				2.0
NOTE: All Parts in this section are included in overhaul unless noted otherwise.				
Illustration Located in Next Column				
1 Glass, Sunroof	10110378	1.0	d221.00	
2 W/Strip, Glass	10093124	#.6	d28.09	
3 Frame, Sunroof Upper	10110374	#.6	d68.50	
4 Frame, Sunroof Lower	10110375	#.6	d28.25	
#R&R Complete				
5 Hinge, Glass	R/L	10093120	#.2	d4.55
6 Retainer, Hinge	R/L	10093121	#.2	d3.05
7 Support, Hinge	R	10093122	#.2	d2.50
	L	10093123	#.2	d.37
8 Nut, Glass Attachment	R/L	10093114	#.2	d7.30
#R&R Complete				
9 Handle, Sunroof	10093117	.2	d24.00	
Latch, Sunroof	10093129	.2	d.90	
Lace, Roof Opening Trim	10110386	.3	d13.75	
Deflector, Air	10093113	.3	d75.00	



## BACK WINDOW

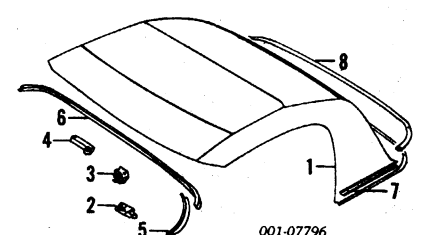
Use Procedure Explanation 19 with the following text.

## SEDAN

R&I Back Window				#2.3
#Includes Clean Up Old Adhesive as Necessary				
				
1 Glass, Back Window				
General Motors	96066751	#2.0	341.70	
NAGS (Blue)	FB04270BTN	#2.0	232.55	
#Includes Clean Up Old Adhesive as Necessary				
2 Spacer, Back Window]	R/L	96066755		7.47
3 Nut, Spacer Mtg]	R/L	96066756		3.36
#As Required				
4 Moulding, Upper Reveal		91171603		70.68
5 Moulding, Lower Reveal		96066762		61.50
6 Nut, Moulding Mtg]	R/L	96066756		3.36
#As Required				

## CONVERTIBLE TOP

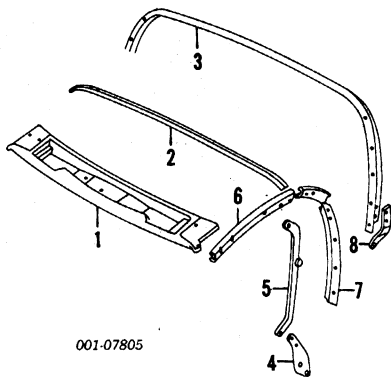
### FOLDING TOP



001-07796

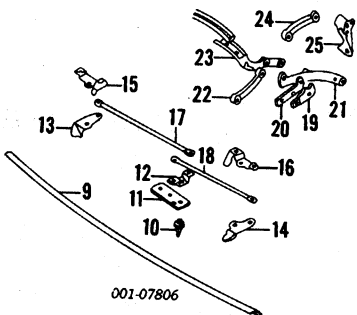
Folding Top Assy	96067338	2.0	d4383.00
1 Cover, Folding Top (a)	12344181	4.5	276.00
(a) Back Only, Includes Rear Window			
2 Striker, Top	R/L	96064335-6	.2 9.08
3 Stopper, Top		96064121	.2 9.03
4 Handle, Lock		96064077	.2 90.04
5 Link, Bow	90-91 R	96064114	.3 d76.50
	L	96064119	.3 d78.00
	92-93 R	96065520	.3 d83.48
	L	96064119	.3 d78.00
6 Bow, Number 3		96064105	.5 d323.40
7 Retainer, Side	R	96064084	.4 59.93
	L	96064085	.4 d58.75
8 Retainer, Center		96064086	.2 323.40
HARDWARE			
Illustration Located in Next Column			
1 Header, Top	96064610	1.6	d727.65





001-07805

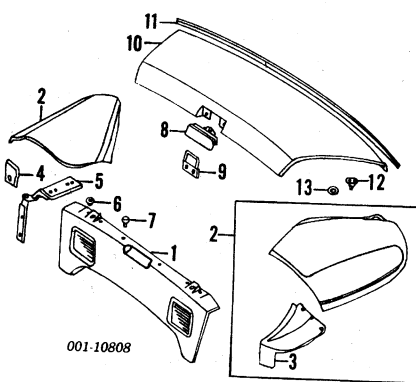
W/Strip Kit, Folding Top Upper/Side W/Strip, Door Opening]] Upper	96067040	d397.40
Upper Corner	R 96065466 L 96065467 90 R/L 96067040 91-93 R 96065468 L 96065469 R 96067040 L 96064167	73.13 74.59 d397.40 40.20 d34.65 d397.40 d28.40
Rear	R 96067040 L 96064167	d397.40 d28.40
#Included w/Folding Top Weatherstrip Kit		
Rail, Retainer Side	R 96066950 L 96064173	25.25 20.78
2 Bow, Number 2	96065451	.5 306.94
3 Arm, Main	96067339	1.8 d731.85
4 Bracket, Mounting	R 96064090 L 96064099	113.82 96.98
5 Arm, Control	R 96065516 L 96064118	175.85 158.07
6 Rail, Side Front	R 96067004 L 96067014	d170.00 d190.00
Rail, Side Rear	R/L 96067189-90	d63.50
7 Retainer, Seal Main Arm	R 96064089 L 96064098	d140.70 d140.70
8 Bracket, Main Arm	R 96064112 L 96064117	63.93 63.93
Retainer, Rail Upper	R 96064172 L 96064173	d18.00 20.78
Upper Corner	R 96064174 L 96064175	12.50 d12.50
Rear	R 96064176 L 96064177	18.00 d18.00



001-07806

9 Retainer, Front	96064073	d115.00
10 Pivot, Header Lock	96064081	25.83
11 Plate, Header Lock	96064082	10.34
12 Bracket, Header Arm Release, Header Lock	96064076	9.19
13 Right	96064074	d19.08
14 Left	96064079	d18.01
15 Brkt, Header Lock Right	96064075	d27.04
16 Brkt, Header Lock Left	96064080	d27.04
17 Arm, Lock Ext Right	96064078	d19.32
18 Arm, Lock Ext Left	96064083	20.32
19 Spacer, Top	R/L 96064242-3	d7.61
20 Hinge, Front Rail	R/L 96064094	d45.15
21 Bracket, Pivot	R 96064095 L 96064103	d145.95 d145.95
Link, Pivot No. 1	R 96064091 L 96064100	d84.00 d84.00
23 No. 2	R 96064092 L 96064101	d153.00 d153.00
24 No. 3	R 96064093 L 96064102	d88.75 d88.75
25 Brace, Pivot No. 3	R 96064111 L 96064116	d134.40 d134.40

## TONNEAU COVER

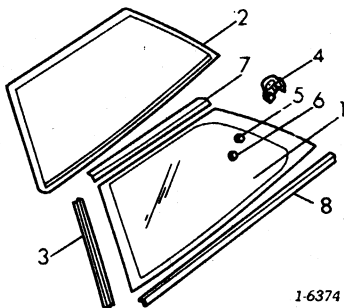


001-10808

1 Panel, Rear Compt	90-91 96064587 92-93 96066007	.4 d47.75 .4 d50.14
2 Cover Assy, Tonneau Side	90-91 R/L 96064581-2	.3 d120.75
3 Cover, Topstack Link]]	90-91 R 96064584 L 96064585	#.3 d45.15 #.3 d43.00
	92-93 R/L 96066004-5	#.3 45.15
#Included w/Tonneau Side Cover Assy		
#Included in R&R Tonneau Side Cover		
4 Stopper, Tonneau Side	R 96065522 L 96065523	.2 9.03 .2 d9.03
5 Hinge, Tonneau Side	R/L 96064034-5	.3 45.92
6 Grommet, Outer	R/L 96064337	1.97
7 Cushion, Center	R/L 96064434	3.39
8 Lock, Tonneau Cover	90 96064397 91 96064566 92-93 96066006	.3 d131.00 #.3 d131.00 #.3 137.55
9 Striker, Lock	96064039	.2 16.70
10 Cover, Tonneau Center	90-91 96064583 92-93 96066003	.3 d360.15 #.3 360.15
11 Protector, Tie Bar	96064230	.2 13.34
12 Hook, Tonneau Center	R/L 96064202	.3 4.39
13 Cushion, Tonneau Side	R/L 96064036	#.1 d5.15

## QUARTER GLASS

### 2 DOOR HATCHBACK

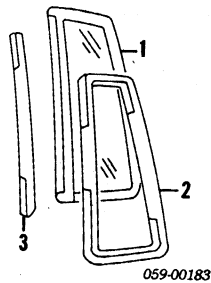


1-6374

1 Glass, Quarter General Motors Clear	R 96061079 L 96061081	.5 d147.00 .5 d160.00
Tint	89-90 R 96061080 L 96061082	.5 d166.95 #.5 d166.95
	91-94 R 30004159 L 30004162	.5 d163.20 #.5 d163.20
NAGS Clear	R/L FQ03927-8CLIN	.5 173.80
Blue	R/L FQ03927-8BTN	.5 173.80
Bronze	R/L FQ03927-8ZTN	.5 0.00
2 W/Strip, Glass]]	89 R/L 30003412 90-91 R/L 30002338 92-94 R/L 30005638	d59.50 d42.26 #.3 64.33
#Gray listed, Order by Application		
3 Hinge	R 96061000 L 96061001	.2 38.87 .2 d37.18
4 Latch	R/L 30005421	.2 43.99
5 Pad, Latch Mount	R/L 96062506	.89
6 Cover, Latch Mount	R/L 30004323	2.84
7 Midg, Qtr Mount Upper	R 96060963 L 96060964	d83.25 97.98
8 Midg, Qtr Mount Lower	R/L 96060965-6	82.92

## 4 DOOR HATCHBACK

R&I Quarter Glass.....	R/L #1.8
#Includes Clean Up Old Adhesive as Necessary	



059-00183

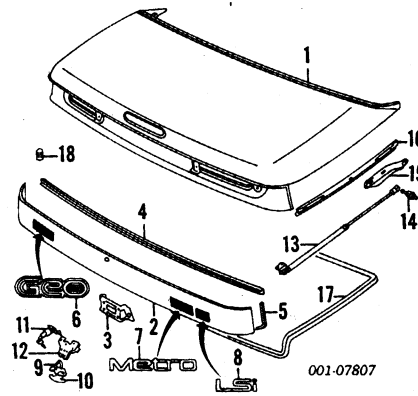
1 Glass, Quarter General Motors Clear	R 96061485 L 96061487	#1.5 d111.00 #1.5 d111.00
Tint	89-90 R 96061486 L 96061488	#1.5 d113.00 #1.5 d113.00
	91-94 R 30005885 L 30005887	#1.5 d122.40 #1.5 d122.40
NAGS Clear	R/L FQ03935-6CLIN	#1.5 180.55
Blue	R/L FQ03935-6BTN	#1.5 180.55
#Includes Clean Up Old Adhesive as Necessary		
2 Moulding, Surround	R 96061502 L 96061503	d92.54 104.96
3 Seal, Glass Front	R/L 96061504	20.40

## LUGGAGE LID

Use Procedure Explanations 24 and 28 with the following text.

### CONV

Refinish Luggage Lid Outside.....	2.5
Add for Undersides.....	1.2
Refinish Hinge.....	R/L .2
Refinish Finish Panel.....	1.8
R&I Luggage Lid.....	.4



001-07807

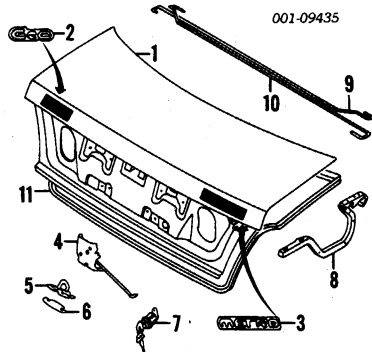
1 Lid, Luggage	90 96064545 91-93 96064545	#1.2 574.35 #1.2 574.35
#Includes R&R High Mount Stop Lamp		
Moulding, Upper Rear (Black)	96064053	.2 68.90
Center	90-91 R 96064054 L 96064055	.2 d37.50 .2 d36.75
Side	92-93 R 96065453 L 96065455	.2 d106.10 #.2 d103.95
2 Panel Assy, Finish	White (a) 96067677 Painted (P) 96067677	.4 d518.40 #.4 d518.40
(P) Paint to Match (a) Order by Application (P) Paint to Match		
3 Brkt, Lock Cylinder]]	96064062	d10.40
#Included w/Finish Panel Assy		
4 Seal, Finish Panel Upper	90-92 96064213 93 96067787	d40.00 d42.75
5 Seal, Finish Panel Lower Emblem, Lid	96064060	d16.30
6 "GEO"	30002225	.2 27.50
7 "METRO"	96061731	.2 29.91
8 "LSI"	96061730	.2 d27.50
"CL"	96062546	.2 d23.60
"CHEVROLET"	96052814	.2 d26.75
"PONTIAC"	96053350	.2 27.20
"FLYFIRE"	96057063	.2 25.40
"SPRINT"	30002220	.2 d24.60
Decal, Lid (a) "METRO LSI"	30008643	.2 d12.71
(a) Order by Application		
9 Striker, Lock	96069098	#.3 d16.40
#Includes Adjustment		
10 Spacer, Striker	96052743	1.08
11 Cylinder, Lock	USA 96065488 Canada N.A.	#.3 53.37 #.3 0.00

**GEO METRO/SPRINT 1989-94**

**LUGGAGE LID Cont'd**

CONV Cont'd			
#Does Not Include Recode			
12 Lock, Lid	96069095	.3	d48.04
13 Support, Lid	90-93 R 96067891 L 96067892	.2	114.43 d106.81
14 Ball Stud, Support	R/L 96064046	.1	d7.85
15 Hinge, Lid	90 R 96065454 L 96065455	#2	14.59 d103.95
	91-93 R 96065454 L 96065456	#2	14.59
#w/Lid Removed			
16 Moulding, Side	R/L N.A.		0.00
17 W/Strip, Lid Opening	96064169		94.60
18 Bumper, Lid	R/L 96062540		1.25

SEDAN			
Refinish Luggage Lid Outside			2.3
Add for Underside			1.1
1989-93			1.1
1994			1.1
Refinish Hinge	R/L		.2
R&I Luggage Lid			.5



1 Lid, Luggage	89-93 96066622 94 96066622	#1.0	318.54
#Includes R&R Rear End Filler Panel			
Decal, Lid <sup>1</sup>			
2 "GEO"	96066926	#2	d19.79
3 "METRO"	96066924	#2	19.39
#Order by Application			
#Not Included in R&R Lid, Time is for Installation only			
4 Lock, Lid	91173027	.3	d57.49
5 Striker, Lock	96069101	.2	9.63
6 Shim, Striker (a)	96052743		1.08
(a) As Required			
7 Cylinder, Lock	96066892	#2	47.25
#Does Not Include Recode			
8 Hinge, Lid	R/L 96066624	#1.0	16.58
#w/Luggage Lid & Interior Trim Removed, R&R Complete			
9 Rod, Right Torsion	96066625	#3	17.64
10 Rod, Left Torsion	96066626	#3	17.64
#R&R Right & Left Torsion Rods Complete			
11 Weatherstrip	91173515	.6	67.75

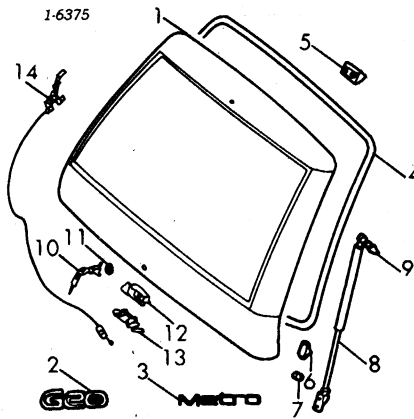
**LIFTGATE**

Use Procedure Explanations 25 and 28 with the following text.

HATCHBACK			
Refinish Liftgate Outside			2.2
Add for Underside			.8
1989-93			.8
1994			.8
Add for Black-Out			.4
Refinish Hinge			.2
1989-93	R/L		.2
1994	R/L		.2
Refinish Spoiler			1.0
R&I Liftgate			.4
R&I Interior Trim Panel			.3
Add to R&R Liftgate			.5
To Transfer Glass			.5

Illustration Located in Next Column

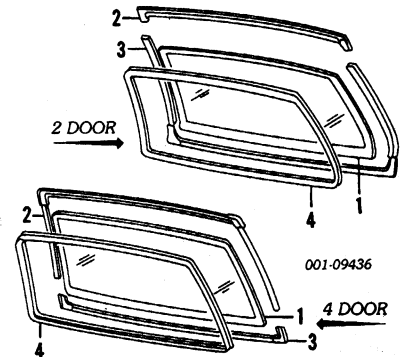
1 Shell, Liftgate			
w/Turbo	89-93 96062179 94 96062179	3.5	d308.00
w/o Turbo			
2 Door			
w/Sport Pkg	89-93 96067274 94 96067274	3.0	313.24
w/o Sport Pkg	89-93 96060772 94 96060772	3.5	317.30
w/Rear Wiper			
		3.5	317.30



w/o Rear Wiper	89-93 96080773 94 96060773	3.0	d317.30
4 Door w/Rear Wiper	89-93 96081341 94 96061341	3.5	318.54
w/o Rear Wiper	89-93 96061342 94 96061342	3.0	d313.24
Spoiler, Lid			
Turbo	96062222	.3	d337.00
2 Decal USA "GEO"			
	89 96061976	#2	d8.51
	90 96063741	#2	d6.80
	91 30003610	#2	8.70
	92-94 30008645	#2	11.06
	89 96061975	#2	d8.51
	90 96063747	#2	d8.51
	91 30003608	#2	8.85
	92-94 30008640	#2	8.42
	30008643	#2	d12.71
	96063747	#2	d8.51
"METRO LSI" (a)			
"METRO XFI" (a)			
Canada			
"CHEVROLET"	96062338	#2	d24.60
"PONTIAC"	96062213	#2	d24.60
"SPRINT"	96061974	#2	d18.65
"TURBO SPRINT"	96062210	#2	d24.60
"TURBO FIREFLY"	96062211	#2	d24.60
(a) Order by Application			
#Not Included in R&R Liftgate, Time is for Installation only			
3 Nameplate USA			
"METRO"	96061731	.2	29.91
"METRO XFI"	30003609	.2	d8.85
"LSI"	96061730	.2	d27.50
Canada			
"PONTIAC"	96053350	.2	27.20
"FIREFLY"	96057063	.2	25.40
"CL"	96062546	.2	d23.60
"LE"	96062547	.2	d23.60
"GSI"			
4 W/Strip, Liftgate			
2 Door	96061101	#3	d74.60
4 Door	30006631	#3	d51.00
#Not Included in R&R Liftgate			
5 Hinge, Liftgate	R/L 96060776	#3	44.88
1989-93	R/L 96060776	#3	44.88
1994			
#w/Liftgate Removed			
Gasket, Hinge	R/L 96060777		2.89
Stopper, Liftgate	R/L 96060961		7.07
Cushion, Liftgate	R/L 96066889		5.78
8 Support, Liftgate			
w/Turbo	R 91173047	#2	d0.00
L 91173048		#2	d87.75
w/o Turbo	89-91 R 91173045 L 91173046	#2	d70.09 75.91
92-94 R 96068379 L 96068380		#2	82.03 79.74
#Not Included in R&R Liftgate			
9 Stud, Support Pivot	R/L 96065663	.1	d6.65
10 Cylinder, Lock w/Keys			
w/Turbo	96063214	#2	d36.66
w/o Turbo	96065487	#2	53.37
#w/Trim Removed			
11 Packing, Lock Cylinder	96061020		2.82
12 Latch, Liftgate			
2 Door	30012965	#3	61.92
4 Door	30012966	#3	61.07
#w/Trim Removed			
13 Striker, Latch			
2 Door	96069100	.2	d18.12
w/Remote Lock	96069099	.2	14.05
w/o Remote Lock			
4 Door	96069100	.2	d18.12
w/Remote Lock	96069099	.2	14.05
w/o Remote Lock			
14 Control, Remote Opening			
2 Door	96061037	.9	67.07
4 Door	96061037	.9	67.07
Cable, Remote Opening			
2 Door	96069123	.9	23.91
4 Door	96069123	.9	23.91
Panel, Interior Trim (a)			
w/Turbo	96063214	.3	d36.66

w/o Turbo			
2 Door	89 96061057 90-91 96063213 92-94 91174180	.3	d36.00 d40.00 d42.00
4 Door	89 96061452 90-91 96063215 92-94 30007644	.3	d38.25 d37.00 d42.00
1.12	30007076		
Clip, Trim Panel <sup>1</sup> (a)			
(a) As Required			
(a) Gray listed, Order by Application			
Speaker, Liftgate	R/L 30002652		47.50
Grille, Speaker	R/L 16124391		3.65

**GLASS & PARTS HATCHBACK**



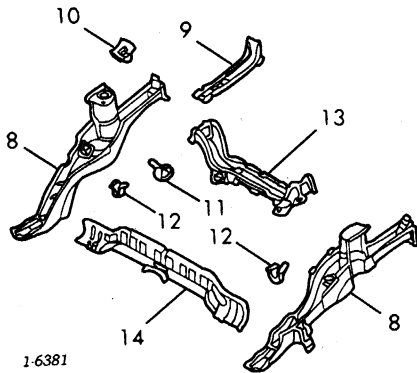
1 Glass, Liftgate			
General Motors			
2 Door			
Clear			
w/Defogger	96061085	#2.2	d511.00
w/o Defogger	96061083	#2.2	d345.00
Tint			
w/Defogger	89-90 96061086 91-94 30004167	#2.2	d461.00 d349.21
w/o Defogger	89-90 96061084 91-94 30004165	#2.2	d336.00 d296.38
4 Door			
Clear			
w/Defogger	96061491	#2.2	d521.00
w/o Defogger	96061489	#2.2	d301.00
Tint			
w/Defogger	89-90 96061492 91-94 30005891	#2.2	d461.00 d339.70
w/o Defogger	89-90 96061490 91-94 30005889	#2.2	d311.00 d241.80
NAGS			
2 Door			
Clear			
Heated	FB03929CLN	#2.2	0.00
Non-Heated	FB03930CLN	#2.2	0.00
Blue			
Heated	FB03929BTN	#2.2	179.25
Non-Heated	FB03930BTN	#2.2	179.40
Bronze			
Heated	FB03929ZTN	#2.2	0.00
Non-Heated	FB03930ZTN	#2.2	0.00
4 Door			
Clear			
Heated	FB03937CLN	#2.2	620.75
Non-Heated	FB03938CLN	#2.2	179.95
Blue			
Heated	FB03937BTN	#2.2	197.25
Non-Heated	FB03938BTN	#2.2	179.95
#Includes Clean Up Old Adhesive as Necessary			
2 Moulding, Upper Reveal			
2 Door	96061093		69.11
4 Door	96062769		75.91
3 Moulding, Lower Reveal			
2 Door	96062770		100.76
4 Door	30010359		62.52
4 Weatherstrip			
2 Door	96061101		d74.60
4 Door	89-91 96061101 92-93 30006631		d74.60 d51.00
Trim, Glass Inner	96061096		71.17
<b>REAR WIPER HATCHBACK</b>			
Illustration Located in Next Column			
1 Motor, Wiper			
2 Door	96060496	#3	194.00
4 Door	96061630	#3	159.12
#w/Trim Panel Removed			
2 Linkage, Wiper			
2 Door	96061631	.5	d48.43
4 Door	96061632	.5	d48.43
3 Cap, Pivot			
2 Door	96061291		5.50
4 Door	96061291		5.50



# GEO METRO/SPRINT 1989-94

## REAR BODY Cont'd

### SHEET METAL HATCHBACK, CONV Cont'd



Conv	L 96067368	s #9.0	326.00
	90 R 96067367	s #9.0	d326.00
	L 30003206	s #9.0	256.93
	91-93 R 96067367	s #9.0	d326.00
	L 96067368	s #9.0	326.00

#w/Floor Pan Removed 7.0

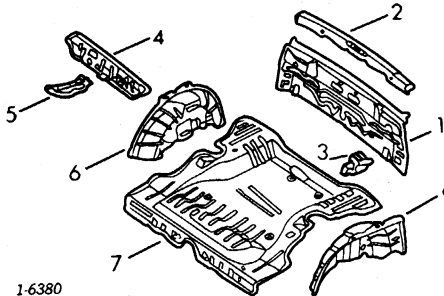
9 Hook, Tow	R/L 96060715	1.5	d45.00
10 Bracket, Muffler Mount	96060709		13.28
11 Bracket, Fuel Tank Rear	96060713		10.76
12 Bracket, Fuel Tank Side	R 96060706		7.80
	L 96060707		12.05
13 Crossmember, Rear Lower	96060723	s #4.0	324.52
#w/Bolted Parts & Assemblies Removed			
14 Crossmember, Center	96060722	3.0	79.07

### INTERIOR TRIM HATCHBACK, CONV

Panel, Trim Rear Body	30007515	.3	63.40
Hatchback	96065997	.3	d58.50
Conv	96059974		2.14
Clip, Trim Panel			
Shade, Luggage			
Luggage Compartment			
2 Door	91171642		d204.00
4 Door	96064897		261.78
Support, Luggage Shade	R/L 30004318-9		d39.75
#w/Bolted Parts, Order by Application			
Cover, Spare Tire			
w/Turbo	96065590		d46.40
w/o Turbo	96065590		d46.40

### SHEET METAL SEDAN

Refinish Rear Body Panel Outside	1.5
----------------------------------	-----

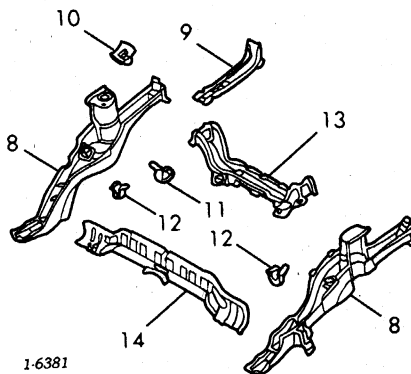


1 Panel, Rear Body	96066621	#6.7	d218.83
#Deduct 2.0 for Each Quarter Panel Removed, Deduction Includes Common Surfaces & Included Operations			
2 Member, Rear Body-Serviced w/Rear Body Panel		.5	d18.32
3 Bracket, Jack	96068107		48.05
4 Crossmember, Floor Center	96060714	1.0	0.00
5 Reinf, Floor	N.A.		0.00
6 Wheelhouse, Inner-See Uniside Assy Section		#18.0	454.08
7 Pan, Rear Floor	96066576		
#w/Rear Body Panel Removed, w/One Inner Wheelhouse Removed 15.0, w/Both Removed 12.0			
Extension, Rear Floor	R 96066582		d24.15
	L 96066583		24.15

Illustration Located in Next Column

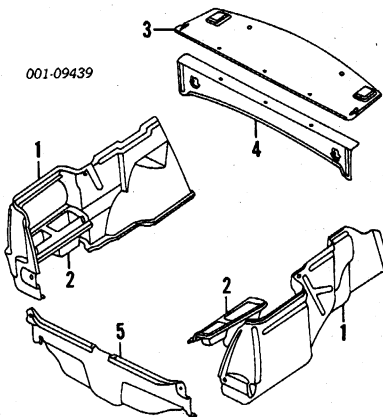
8 Rail, Rear	R 96066586	s #9.0	288.44
	L 96067353	s #9.0	d245.90

#w/Floor Pan Removed 7.0



9 Hook, Tow	96066581	1.5	44.25
10 Bracket, Muffler Mount	96066577		d12.53
Bracket, Fuel Tank			
11 Rear	96060713		10.76
12 Side	R 96060706		7.80
	L 96060707		12.05
13 Crossmember, Rear	96060723	s #4.0	324.52
#w/Bolted Parts & Assemblies Removed			
14 Crossmember, Center	96060722	3.0	79.07

### INTERIOR TRIM SEDAN

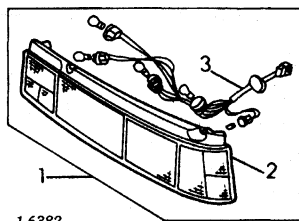


1 Panel, Side Trim	R 96066687	#3	d42.25
	L 96066689	#3	d42.25
2 Tray, Storage	R/L 91171680-1	#3	d24.45
#R&R Complete			
3 Panel, Rear Shelf Trim	96066681	.4	d90.75
4 Panel, Front Shelf Trim	96066682	.2	d90.75
5 Panel, Front Trim	96066690	.3	d42.25

### REAR LAMPS

#### COMBINATION LAMP 1989-91

R&I Combination Lamp Assy	R/L	.3
---------------------------	-----	----

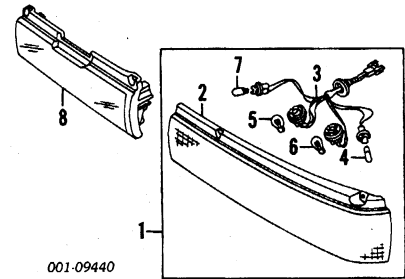


1 Lamp Assy (a)	R/L 96060423-4	.3	115.00
	R 30001724	.3	198.60
	L 30001726	.3	207.51
(a) Includes License Lamp			
2 Lens & Housing	R 96060429	.3	133.59
	L 96060432	.3	d129.74
	R 96063696	.3	121.75
	L 96063698	.3	d115.67
3 Socket & Wire	R/L 96060430		d42.50
Bulb, Lamp Assy			
Back-Up Lamp	R/L 9417866		1.01
Side Marker Lamp	R/L 9421330		.64
Signal/Stop/Tail Lamp	R/L 94404036		2.54
License Lamp	R/L 9421777		1.32

#Included w/Lamp Assy

#### COMBINATION LAMP 1992-94 HATCHBACK, CONV

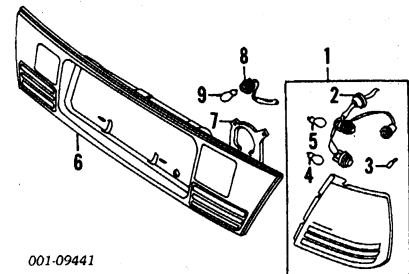
R&I Combination Lamp Assy	R/L	.3
---------------------------	-----	----



001-09440			
1 Lamp Assy	R/L 30007123-4	.3	210.00
Hatchback			
Conv			
To 9-91	R 96065788	.3	d155.00
	L 96065789	.3	155.00
From 10-91	R/L 96067017-8	.3	d138.00
2 Lens & Housing	R 96065790	.3	129.98
Hatchback	L 96065794	.3	166.16
Conv	R 96065791	.3	d131.80
	L 96065795	.3	d135.93
3 Socket & Cable Assy			
Hatchback			
2 Door	R/L 96065793		d33.20
Japan Built	R/L 96065792		40.65
Canada Built	R/L 96065792		40.65
4 Door	R/L 96065793		d33.20
Conv	R/L 96065793		
4 Bulb, Side Marker	R/L 9421330	#2	.64
5 Bulb, Tail/Stop	R/L 94404036	#2	2.54
6 Bulb, Signal	R/L 9417866	#2	1.01
7 Bulb, Back-Up	R/L 96064245	#2	5.63
#Included w/Lamp Assy			
#R&R One or All One Side			
8 Filler, Rear End Panel	30009520	.4	94.38
w/Reflector	30009492	.4	44.56
w/o Reflector			

#### COMBINATION LAMP 1992-94 SEDAN

R&I Combination Lamp Assy	R/L	.3
---------------------------	-----	----



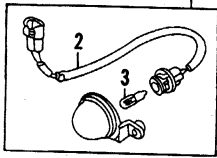
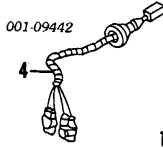
001-09441			
1 Lamp Assy	R 91176775	.3	210.00
	L 96066483	.3	d168.00
2 Socket & Cable Assy	R/L 96066485		39.28
3 Bulb, Side Marker	R/L 9421330	#2	.64
4 Bulb, Tail/Stop	R/L 94404036	#2	2.54
5 Bulb, Signal	R/L 9417866	#2	1.01
#Included w/Lamp Assy			
#R&R One or All One Side			
6 Housing Assy	96066498	#3	344.80
Back-Up/License Lamp			
#Included in R&R Luggage Lid			
7 Gasket, Back-Up	R/L 96066503		d1.00
#Included w/Back-Up/License Lamp Housing Assy			
8 Socket, Back-Up	R/L 96066500		23.75
9 Bulb, Back-Up	R/L 9417866		1.01

#### LICENSE LAMP HATCHBACK, CONV

Illustration Located in Next Column

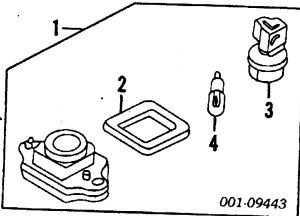
1 Lamp Assy			
1989-91-Serviced w/Combination Lamp			
1992-93			
Hatchback			

# GEO METRO/SPRINT 1989-94



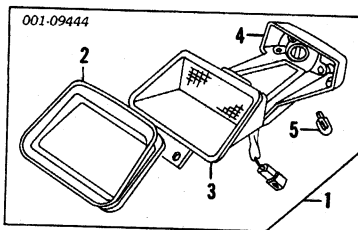
2 Door			
Japan Built	R/L 96068877	2	24.40
Canada Built	R/L 30007126	2	25.28
4 Door	R/L 30007126	2	25.28
Conv	R/L 96068877	2	24.40
<b>2 Socket &amp; Cable</b>			
Hatchback			
2 Door			
Japan Built	R/L 96065798		27.80
Canada Built	R/L 96065797		21.76
4 Door	R/L 96065797		21.76
Conv	R/L 96065798		27.80
<b>3 Bulb</b>	R/L 96064245	2	5.63
<i>#Included w/Lamp Assy</i>			
<b>4 Wiring, License Lamp</b>			
Hatchback			
2 Door			
Japan Built	96068887		d46.00
Canada Built	30008381		d45.00
4 Door	30008381		d45.00
Conv	96068887		d46.00

## LICENSE LAMP SEDAN



1 Lamp Assy	92-94 91175767	2	d23.00
2 Gasket, Mounting	96066491		d1.65
3 Socket	96066484		d6.32
4 Bulb	96064245	2	5.63
<i>#Included w/Lamp Assy</i>			

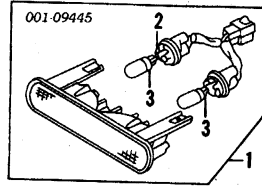
## HIGH MOUNT STOP LAMP HATCHBACK



1 Lamp Assy (a)			
2 Door			
1989-91			
Japan Built	91173549	2	d59.50
Canada Built	30009467	2	d64.80
1992-94	30009467	2	d64.80
4 Door			
1989-90	91173551	2	d59.50
1991			
To 1-1-91	30003706		63.18
From 1-1-91	30009468		64.80
1992-94	30009468		64.80
<i>(a) Mounted on Back Glass</i>			
<i>#Included in R&amp;R Liftgate</i>			
<b>2 Seal, Lamp</b>			
2 Door			
Japan Built	91173550		0.00
Canada Built	96065595		10.40
4 Door	89-90 91173552		d10.30
	91-94 96065610		11.10
<b>3 Housing &amp; Lens</b>			
Japan Built	96060435		25.35
Canada Built	96063700		22.74
<b>4 Cover</b>			
Japan Built	96060436		32.50

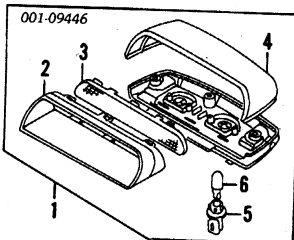
Canada Built	96066938		42.93
5 Bulb	12450313		.99
<i>#Included w/Lamp Assy</i>			

## HIGH MOUNT STOP LAMP CONV



1 Lamp Assy (a)	96063893	#2	d59.50
<i>(a) Mounted on Luggage Lid</i>			
<i>#Included in R&amp;R Luggage Lid</i>			
2 Socket & Cable	96064244		d19.95
3 Bulb (2)	96064245	2	5.63
<i>#Included w/Lamp Assy</i>			

## HIGH MOUNT STOP LAMP SEDAN



1 Lamp Assy (a)			
Gray	96067058	.3	56.10
Black	96067058	.3	56.10
<i>(a) Mounted on Back Window</i>			
<i>(b) Gray listed, Order by Application</i>			
2 Gasket	96066488		d12.20
3 Lens	96066487		16.88
4 Cover	96067059		37.15
5 Socket (2)	96066484		d6.32
6 Bulb (2)	12450313	2	.99
<i>#Included w/Lamp Assy</i>			

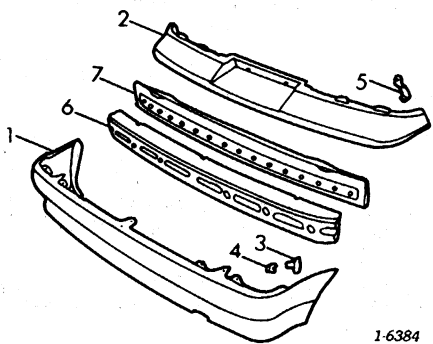
## REAR BUMPER

Use Procedure Explanations 27 and 28 with the following text.

### 1989-91

Refinish Bumper Cover Complete	1.9
Refinish Lower Bumper Cover	1.3
Refinish Upper Bumper Cover	1.0
R&I Bumper Assy	#1.0
<i>#Includes Removing Tail Lamps</i>	
O/H Bumper Assy (Includes R&I)	#2.0
<i>#Includes R&amp;R Tail Lamps</i>	

NOTE: All Parts in this section are included in overhaul unless noted otherwise.



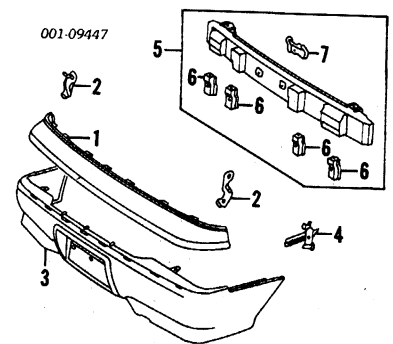
1 Cover, Bumper Lower (P)			
w/Turbo	96062181	#1.6	d268.00
Painted (P)	96060806	#1.6	519.80
2 Cover, Bumper Upper (P)	96061991	#1.6	d199.50
<i>(P) Paint to Match</i>			
<i>#R&amp;R Upper &amp; Lower Complete, Includes R&amp;R Right &amp; Left Tail Lamps</i>			
3 Slider, Bumper Side	R 96060811	IOH	d8.24
	L 96060812	IOH	d8.49
4 Holder, Slider	R/L 96060794	IOH	2.97
5 Support, Side	R 96060808	IOH	7.26
	L 96060809	IOH	6.73

6 Absorber, Impact	96060813	IOH	121.88
7 Bar, Impact	96060807	IOH	294.64

## 1992-94 HATCHBACK

Refinish Rear Upper & Lower Cover	2.0
Refinish Rear Upper Cover	1.0
Refinish Rear Lower Cover	1.5
R&I Bumper Assy	#1.0
<i>#Includes Removing Tail Lamps</i>	
O/H Bumper Assy (Includes R&I)	#1.9
<i>#Includes R&amp;R Tail Lamps</i>	

NOTE: All Parts in this section are included in overhaul unless noted otherwise.

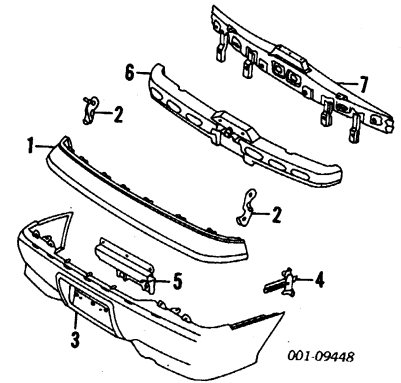


1 Cover, Rear Upper			
Black	96065901	#1.7	146.61
Painted (P)	96065901	#1.7	146.61
<i>(P) Paint to Match</i>			
2 Bracket, Mounting	R 96060808	#	7.26
	L 96060809	#	6.73
3 Cover, Rear Lower			
Black	96065902	#1.7	291.82
Painted (P)	96065902	#1.7	291.82
<i>(P) Paint to Match</i>			
<i>#R&amp;R Upper &amp; Lower Complete, Includes R&amp;R Right &amp; Left Tail Lamps</i>			
4 Bracket, Side Mtg	R 96060811	#1.7	d8.24
	L 96060812	#1.7	d8.49
<i>#Included in R&amp;R or O/H Rear Cover</i>			
5 Bar Assy, Impact	30007295	IOH	297.63
6 Brlt, Center Mtg (b)			
(2/Side)	R/L 96065907	IOH	16.58
	96065906	IOH	16.30
<i>(b) Included w/Impact Bar Assy</i>			

## 1992-93 CONV

Refinish Rear Upper & Lower Cover	2.0
Refinish Rear Upper Cover	1.0
Refinish Rear Lower Cover	1.5
R&I Bumper Assy	#1.0
<i>#Includes Removing Tail Lamps</i>	
O/H Bumper Assy (Includes R&I)	#1.9
<i>#Includes R&amp;R Tail Lamps</i>	

NOTE: All Parts in this section are included in overhaul unless noted otherwise.



1 Cover, Rear Upper (P)			
(P) Paint to Match	96065901	#1.7	146.61
2 Bracket, Mounting	R 96060808	#	7.26
	L 96060809	#	6.73
3 Cover, Rear Lower (P)	96065903	#1.7	d352.39
<i>(P) Paint to Match</i>			
<i>#R&amp;R Upper &amp; Lower Complete, Includes R&amp;R Right &amp; Left Tail Lamps</i>			
4 Bracket, Side Mtg	R 96060811	#	d8.24
	L 96060812	#	d8.49
5 Housing, License Lamp	96065910	#	d36.70
<i>#Included in R&amp;R or O/H Rear Cover</i>			

# GEO PRIZM 1993-97

## REAR BUMPER Cont'd

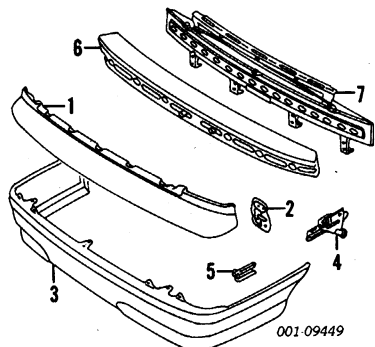
1992-93			
CONV Cont'd			
6 Absorber, Impact	96065909	IOH	96.21
7 Bar, Impact			
USA			
To VIN NK212405	96067185	IOH	d249.60
From VIN NK212406	96067185	IOH	d249.60
Canada			
To VIN NK204083	96067185	IOH	d249.60
From VIN NK204084	96067185	IOH	d249.60

## 1992-94 SEDAN

Refinish Rear Upper & Lower Cover	2.0
Refinish Rear Upper Cover	1.0
Refinish Rear Lower Cover	1.5
R&I Bumper Assy	#1.0
O/H Bumper Assy (Includes R&I)	#1.6

**#Includes R&R Tail Lamps**

NOTE: All Parts in this section are included in overhaul unless noted otherwise.



1 Cover, Rear Upper			
Black	96066633	#1.6	127.22
Painted (P)	96066633	#1.6	127.22
(P) Paint to Match			
2 Bracket, Mounting	R 96066636	#1.6	6.35
	L 96066638	#1.6	6.35
3 Cover, Rear Lower			
Black	96066634	#1.6	d272.60
Painted (P)	96066634	#1.6	d272.60
(P) Paint to Match			
4 Bracket, Side Mtg	R/L 96066919-20	#1.6	8.85
5 Guide, Mtg Bracket	R/L 96060794	#1.6	2.97
#R&R Upper & Lower Complete, Includes R&R Right & Left Tail Lamps			
6 Absorber, Impact	96066644	IOH	d83.12
7 Bar, Impact	96066635	IOH	268.88

# GEO PRIZM 1993-97

## SECTION INDEX

A/C HEATER	1375
A/C REFRIGERANT CAPACITIES	1375
ABS/BRAKES	1377
AIR BAG SYSTEM	1377
AIR CLEANER	1380
BACK WINDOW	1384
CENTER CONSOLE	1381
CLEAR COAT IDENTIFICATION	1374
COOLING	1375
COWL & DASH	1381
CRUISE CONTROL SYSTEM	1377
ELECTRICAL	1380
EMISSION SYSTEM	1380
ENGINE/TRANS	1379
ENGINE/TRANS MOUNTS	1380
EXHAUST	1380
FRONT BUMPER	1374
FRONT DRIVE AXLE	1378
FRONT FENDER	1376
FRONT INNER STRUCTURE	1376
FRONT LAMPS	1375
FRONT SEAT	1382
FRONT STEERING LINKAGE/GEAR	1378
FRONT SUSPENSION	1378
FUEL TANK	1385
GRILLE	1374
HOOD	1375
INFORMATION LABELS	1374
INSTRUMENT PANEL	1381
LUGGAGE LID	1385
PAINT CODE LOCATION	1374
QUARTER PANEL	1385
REAR BODY	1386
REAR BUMPER	1387
REAR DOOR	1383
REAR LAMPS	1386
REAR SEAT	1382
REAR SUSPENSION	1385
ROCKER/PILLARS/FLOOR	1382
ROOF	1384
SEAT BELTS	1382
SPECIAL CAUTIONS	1374
STEERING PUMP	1378
STEERING WHEEL/COLUMN	1379
SUNROOF	1384
UNDERHOOD DIMENSIONS	1376
WHEEL	1377
WINDSHIELD	1380

## SPECIAL CAUTIONS

### SRS SIR

Refer to Procedure Explanation 29 for Supplemental Restraint/Air Bag Special Cautions.

### WELDING

Before initiating any repair involving the use of an electric welder, the ignition must be in the off position and both battery terminals disconnected.

## PAINT CODE LOCATION

Paint code located in trunk on spare tire cover.

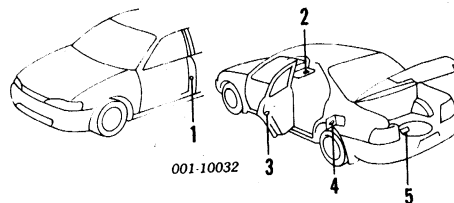
## CLEAR COAT IDENTIFICATION

All metallic colors are clear coat.

## INFORMATION LABELS

Illustration Located in Next Column

1 Label Cover Film	94849394	9.42
2 Tire Pressure Caution]		
w/ABS	94855483	10.70
w/o ABS	94855481	11.08



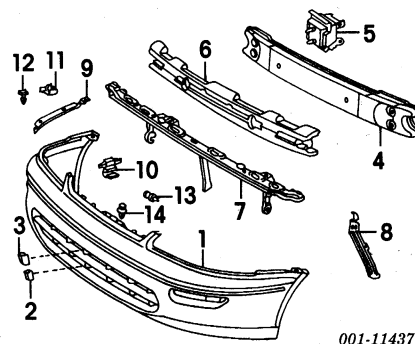
3 Child Protection]	R/L 10154456	11.27
4 Unleaded Fuel Only]	14107916	15.12
5 Spare Tire Caution]	94855481	11.08
Emission Control]		
1.6L Eng		
w/Calif Emission	94855859	11.08
w/o Calif Emission	94856237	11.08
1.8L Eng		
w/Calif Emission	94856242	11.50
w/o Calif Emission	94856241	11.08
Vacuum Hose]		
1.6L Eng	94855755	11.08
1.8L Eng	94855758	d8.52
Order by Application		
Jack Caution	10301764	15.12
A/C Caution		
1993	94854259	d0.00
1994-97	94855113	11.08

## FRONT BUMPER

Use Procedure Explanations 1 and 28 with the following text.

Refinish Front Cover	2.4
R&I Front Cover	#1.5
#Includes R&I Grille	
O/H Bumper Assy (Includes R&I)	#2.5
#Includes R&I Grille, R&I/R&R Front & Side Signal Lamps	

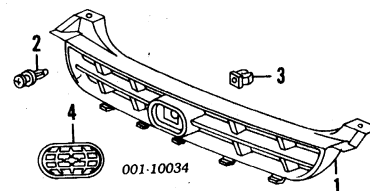
NOTE: All Parts in this section are included in overhaul unless noted otherwise.



1 Cover, Front (P)	94855477	#2.2	231.22
(P) Paint to Match			
2 Insert, Lower	94853808		5.26
3 Insert, Upper	94853807		4.49
4 Reinforcement, Bumper	94852366	#2.5	111.55
#Includes R&I Grille, R&I/R&R Front & Side Signal Lamps			
5 Brkt, Reinforcement	R 94852364	#2	24.40
	L 94852365	#2	38.89
#w/Bumper Assy Removed, Not Included in O/H			
6 Absorber, Impact	94852367	IOH	77.89
7 Retainer, Cover Upper	94852344	IOH	54.47
8 Brace, Cover Side	R/L 94852345-6		9.70
9 Retainer, Side Upper	R/L 94852348-9		14.77
10 Brkt, Cover Guide	R/L 94854095		5.95
11 Nut, Retaining	R/L 94852353		1.10
12 Clip, Retaining	R/L 94854133		1.14
13 Guide, Cover Locating	R/L 94852354		5.90
14 Retainer, Center (4)	94852376		2.50

## GRILLE

R&I Grille	2
------------	---



1 Grille	94852384	4	64.40
2 Clip, Retaining	R/L 94853733		1.01
3 Nut, Retaining	94854227		1.77
4 Emblem, Grille	93-94 94852387	#2	17.74
	95-97 94855480	#2	17.74
#Included in R&R Grille			